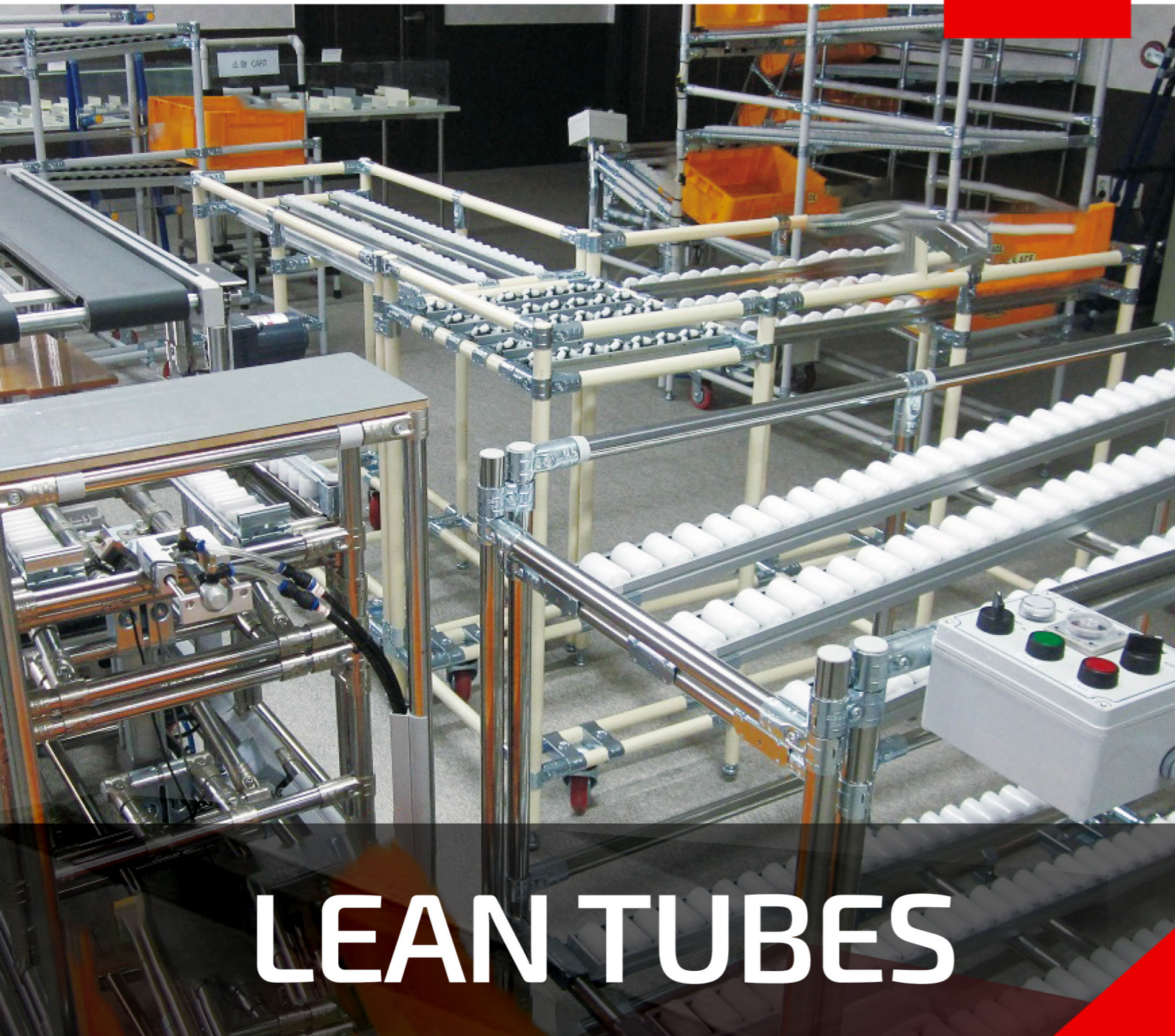




LEAN TUBE SYSTEM PRODUCT CATALOGUE

MPS MODULAR PARTS SYSTEM D00





LEAN TUBES

28MM	
PIPES	4
METAL JOINT	9
28.6MM	19
PIPES	19
METAL JOINT	22
PLASTIC JOINTS	26
ROLLER TRACKS	30
STEEL ROLLER PLACON	31
ALUMINUM ROLLER PLACON	34
MOUNTING BRACKETS	35
ACCESSORIES	42
CASTER	44
ADJUST	46
BUSHING NUT	48
PLASTIC STRIP	50
METAL ACCESSORIES	53
PLASTIC FOOT COVER	59
CAP	59
BOLT AND NUT	60
TECHNICAL SPECIFICATIONS	64

DETAILED DESCRIPTION OF COATED PIPE $\Phi=28\text{MM}$ 28MM



STANDARD COLOR OF COATED PIPE



	IV:Ivory
	WH:White
	SB:Sky Blue
	DB:Dark Blue
	RE:Red
	GR:Green
	YE:Yellow
	BE:Beige
	LG:Light Gray
	DG:Dark Gray
	BK:Black
	EBK: ESD Black
	ESD GRAY
	ESD IVORY

NAMED OF PRODUCT

CP-28T	normal coated pipe
CP-28T-ESD	ESD coated pipe
SP-28T	slide pipe
SPS-28T	stainless steel pipe
PCP-28T	Powder coated pipe
FT-28T	flat pipe

T=0.7mm 0.8mm 1.0mm 1.2mm 1.5mm 2.0mm

※T=THICKNESS

07=T0.7

08=T0.8

10=T1.0

12=T1.2

15=T1.5

20=T2.0

※LENGTH

- customizable

※CUSTOMIZABLE

- color we can do it according customer sample, The MOQ is 1000PCS

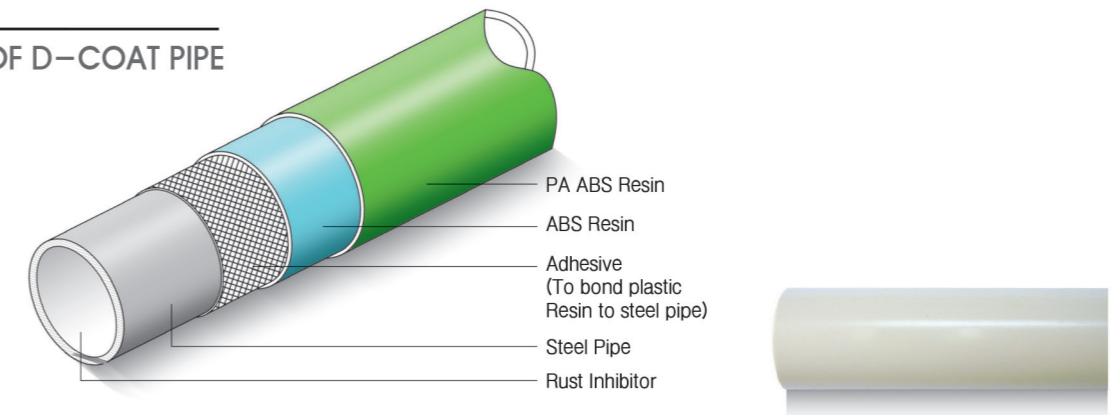
※

- means accept any quantity

COATED PIPE(28MM) 28mm

Part Number	Dimension	Weight	Capacity	MOQ	Classification	Standard Length	Color	Photo
	(mm)	(g/meter)	(kg/m)	(pcs)				
CP-2807	φ28*0.7	505	45	○	Coated Pipe	4000	IV (ESD) WH SB DB RE GR (ESD) YE BE LG BK	
CP-2808	φ28*0.8	680	70	○				
CP-2810	φ28*1.0	700	100	○				
CP-2812	φ28*1.2	800	120	500				
CP-2815	φ28*1.5	1000	150	1000				
CP-2820	φ28*2.0	1300	200	500				
CP-2807ESD	φ28*0.7	505	45	○	Coated Pipe	4000	EBK ESD Gray	
CP-2810ESD	φ28*1.0	700	100	○				
CP-2812ESD	φ28*1.2	800	120	500				
CP-2815ESD	φ28*1.5	1000	150	1000				
CP-2820ESD	φ28*2.0	1300	200	500				
SP-2810	φ28*1.0	770	100	750	Slide Pipe	4000	IV	
PCP-2810	φ28*1.0	600		○	Powder Coated Pipe (PCP)	4000	Any colour	
PCP-2820	φ28*2.0	1300		○		4000		
FT-2810	φ28*1.0	790		○	Flat Pipe	4000	IV	
SPS-2807	φ28*0.7	500	40	500	SUS439 SUS201 SUS304	4000	Sliver	
SPS-2810	φ28*1.0	670	90	500				
SPS-2812	φ28*1.2	780	110	750				
AL-2810	φ28*1.0	550		○	Aluminum pipe	4000	Sliver	
AL-2820	φ28*2.0	1200		○				

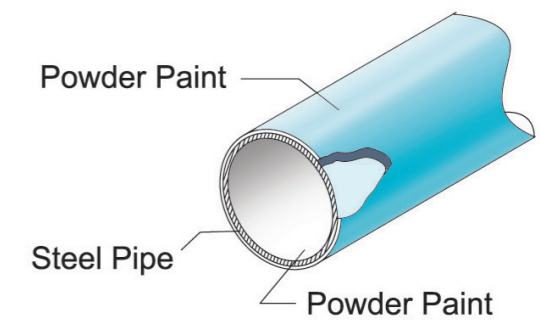
FEATURES OF D-COAT PIPE



1. Steel pipe is coated with ABS. Then, the surface is coated again with the new material of PA ABS.
2. Compared to the conventional ABS coating pipe, D-Coat Pipe is outstanding in oil resistance and chemical resistance. In particular, salinity, rust preventative oil or cutting oil does not cause cracks or discoloration of the pipe.
3. This product comes in a variety of colors for use in various items or per company's image.
4. With outstanding durability, this pipe is easily processed. Rustproof coating inside the pipe provides superior corrosion resistance.



1. **Environmental**
- ECO-pipe is fully recyclable.
Powder painted steel pipe of internal and external surface
2. **Economical**
- 20% less than coated pipe
- 35% less than ESD coated pipe
- 30% less than stainless steel pipe

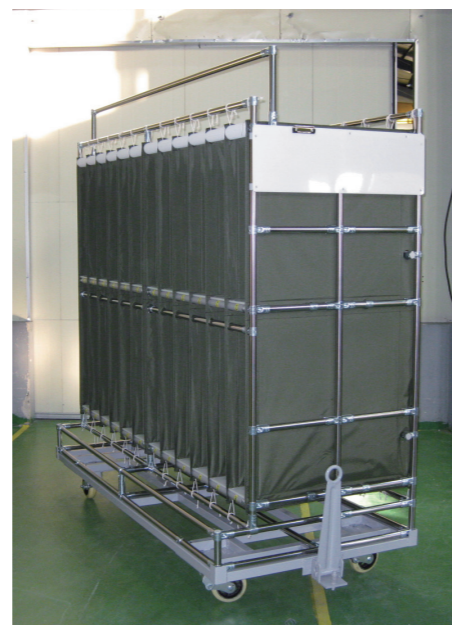
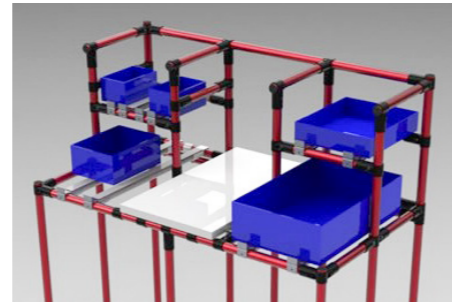
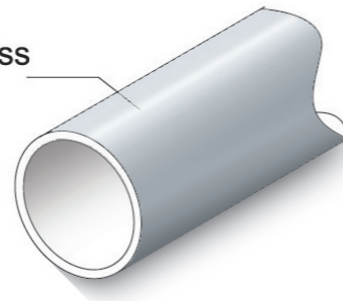


3. **Colorful**
- Wider selection of colors and textures.
4. **Chemical resistant**
- High resistant to oil, UV light, and corrosion.
5. **Non-flammable**
- No emission of toxic fumes in fire.
6. **Electrolytic Corrosion Free**
- Free of Electrolytic Corrosion.

THE ADVANTAGES OF STAINLESS PIPE

1. Environmental
 - Stainless pipe which is 100% recycable
2. High Strength & Durability
 - Surface resistant to light abrasion or contact with metal tools
3. High Oil & Chemical Resistance
 - High resistance to oil, solvents, bleaches, etc.
4. Non-Flammable
 - Inherently non-flammable.
5. Conductive
 - Inherently conductive

Stainless Pipe



METAL JOINTS



※COLOR

	Black	BK
	Zinc	ZN
	Chrome	CN
	Nickel	NI

※MATERIAL

- SPCC、SUS 304

※THICKNESS

-

※PRODUCT DETAILS

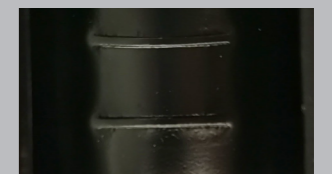
can be punched and fixed



Innovated Joint with Assembly help line



the side pressing line of the hardware

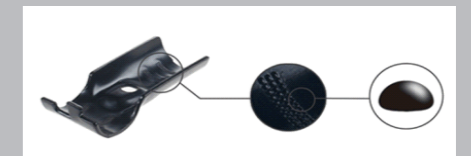


Two-wire pressure root non-

※CUSTOMIZABLE



- The position where you can type



- Can be changed to:
 - 1.non-slip treatment, three rows of fine dots
 - 2.the non-slip dots

28MM TUBE 28MM

28MM TUBE JOINT 28MM

METAL JOINT


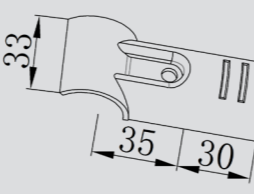
METAL JOINT

W-1 COLOR: ● BK ● ZN ● CN ● NI




Weight:0.07kg
Qty/box:300pcs

W-1A COLOR: ● BK ● ZN ● CN ● NI


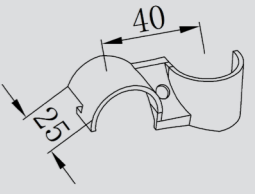
Weight:0.068kg
Qty/box:300pcs

W-6A COLOR: ● BK ● ZN ● CN ● NI




Weight:0.07kg
Qty/box:300pcs

W-7 COLOR: ● BK ● ZN ● CN ● NI


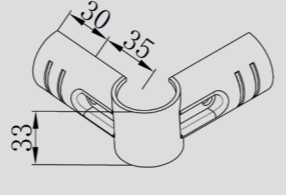
Weight:0.05kg
Qty/box:200pcs

W-2 COLOR: ● BK ● ZN ● CN ● NI





Weight:0.091kg
Qty/box:200pcs

W-3 COLOR: ● BK ● ZN ● CN ● NI

Weight:0.125kg
Qty/box:100pcs

W-7A COLOR: ● BK ● ZN ● CN ● NI




Weight:0.045kg
Qty/box:300pcs

W-8- COLOR: ● BK ● ZN ● CN ● NI




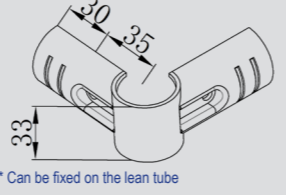

Weight:0.07kg
Qty/box:200pcs

W-4 COLOR: ● BK ● ZN ● CN ● NI




Weight:0.11kg
Qty/box:200pcs

W-3H COLOR: ● BK ● ZN ● CN ● NI

* Can be fixed on the lean tube
Weight:0.125kg
Qty/box:100pcs

W-8- COLOR: ● BK ● ZN ● CN ● NI




Weight:0.072kg
Qty/box:150pcs

W-8-60 COLOR: ● BK ● ZN ● CN ● NI




Weight:0.075kg
Qty/box:150pcs

W-4A COLOR: ● BK ● ZN ● CN ● NI




Weight:0.1kg
Qty/box:200pcs

W-4B COLOR: ● BK ● ZN ● CN ● NI




Weight:0.11kg
Qty/box:200pcs

W-9 COLOR: ● BK ● ZN ● CN ● NI




Weight:0.07kg
Qty/box:200pcs

W-9A COLOR: ● BK ● ZN ● CN ● NI




Weight:0.078kg
Qty/box:200pcs

W-5 COLOR: ● BK ● ZN ● CN ● NI




Weight:0.055kg
Qty/box:300pcs

W-6 COLOR: ● BK ● ZN ● CN ● NI




Weight:0.065kg
Qty/box:300pcs

W-10A COLOR: ● BK ● ZN ● CN ● NI




Weight:0.072kg
Qty/box:200pcs

W-10B COLOR: ● BK ● ZN ● CN ● NI




Weight:0.072kg
Qty/box:200pcs

28MM TUBE 28MM

W-11-90 COLOR: ● BK ● ZN ● CN ● NI

Weight:0.1kg
Qty/box:150pcs

W-11-110 COLOR: ● BK ● ZN ● CN ● NI

Weight:0.11kg
Qty/box:150pcs

W-11-160 COLOR: ● BK ● ZN ● CN ● NI

Weight:0.11kg
Qty/box:150pcs

W-11-180 COLOR: ● BK ● ZN ● CN ● NI

Weight:0.1kg
Qty/box:200pcs

W-12 COLOR: ● BK ● ZN ● CN ● NI

Weight:0.07kg
Qty/box:200pcs

W-13 COLOR: ● BK ● ZN ● CN ● NI

Weight:0.055kg
Qty/box:300pcs

W-13A COLOR: ● BK ● ZN ● CN ● NI

Weight:0.05kg
Qty/box:300pcs

W-13B COLOR: ● BK ● ZN ● CN ● NI

Weight:0.089kg
Qty/box:200pcs

W-13C COLOR: ● BK ● ZN ● CN ● NI

Weight:0.089kg
Qty/box:200pcs

W-14 COLOR: ● BK ● ZN ● CN ● NI

Weight:0.65kg
Qty/box:200pcs

28MM TUBE JOINT 28MM

W-15A COLOR: ● BK ● ZN ● CN ● NI

weight:0.045kg
Qty/box:400pcs

W-15B COLOR: ● BK ● ZN ● CN ● NI

Weight:0.055kg
Qty/box:400pcs

W-16 COLOR: ● BK ● ZN ● CN ● NI

Weight:0.055kg
Qty/box:400pcs

W-17 COLOR: ● BK ● ZN ● CN ● NI

Weight:0.065kg
Qty/box:300pcs

W-17A COLOR: ● BK ● ZN ● CN ● NI

Weight:0.045kg
Qty/box:200pcs

W-18A COLOR: ● BK ● ZN ● CN ● NI

Weight:0.065kg
Qty/box:150pcs

W-18B COLOR: ● BK ● ZN ● CN ● NI

Weight:0.055kg
Qty/box:200pcs

W-19 COLOR: ● BK ● ZN ● CN ● NI

Weight:0.085kg
Qty/box:200pcs

W-20 COLOR: ● BK ● ZN ● CN ● NI


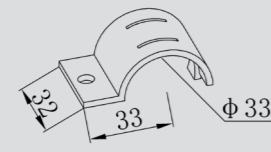
Weight:0.122kg
Qty/box:150pcs

W-21 COLOR: ● BK ● ZN ● CN ● NI

Weight:0.082kg
Qty/box:300pcs


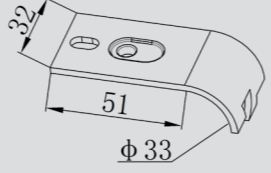
28MM TUBE JOINT 28MM

W-22A COLOR: ● BK ● ZN ● CN ● NI

Weight:0.055kg
Qty/box:300pcs

W-22B COLOR: ● BK ● ZN ● CN ● NI


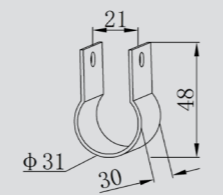
Weight:0.065kg
Qty/box:300pcs

W-23 COLOR: ● BK ● ZN ● CN ● NI




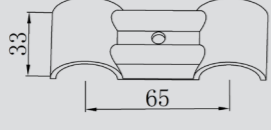

Weight:0.082kg
Qty/box:200pcs

W-24 COLOR: ● BK ● ZN ● CN ● NI

Weight:0.035kg
Qty/box:300pcs

W-25 COLOR: ● BK ● ZN ● CN ● NI

Weight:0.098kg
Qty/box:300pcs




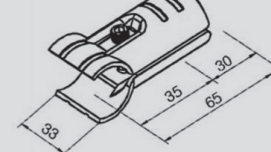
28MM TUBE JOINT 28MM

WJ-1 COLOR: ● BK ● ZN ● CN ● NI




W-1:2 pcs
M6*25:1 set

WJ-1A COLOR: ● BK ● ZN ● CN ● NI


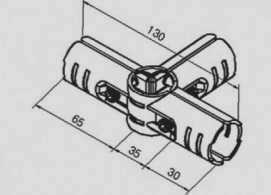
W-1A:2 pcs
M6*25:1 set

WJ-2 COLOR: ● BK ● ZN ● CN ● NI




W-2:1 pcs W-3:1 pcs
M6*25:2set

WJ-3 COLOR: ● BK ● ZN ● CN ● NI


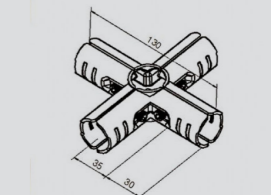
W-2:2pcs W-4:1pcs
M6*25:3set

WJ-4 COLOR: ● BK ● ZN ● CN ● NI




W-4:2 pcs
M6*25:2set

WJ-5 COLOR: ● BK ● ZN ● CN ● NI


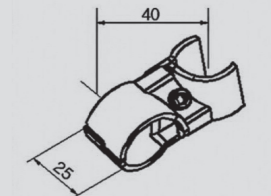
W-2:4pcs
M6*25:4 set

WJ-6 COLOR: ● BK ● ZN ● CN ● NI




W-7:2 pcs
M6*25:1set

WJ-6A COLOR: ● BK ● ZN ● CN ● NI


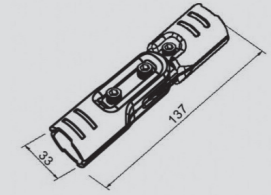
W-7A:2pcs
M6*25:1set

WJ-7 COLOR: ● BK ● ZN ● CN ● NI




W-5:2pcs W-6:2pcs
M6*28:2set

WJ-7A COLOR: ● BK ● ZN ● CN ● NI

W-6A:4pcs
M6*28:2set

28MM TUBE JOINT 28MM

28MM TUBE JOINT 28MM

WJ-8 COLOR: ● BK ● ZN ● CN ● NI

W-9:2pcs WJP-6:2pcs
M6*25:1set

WJ-9 COLOR: ● BK ● ZN ● CN ● NI

W-10A:1pcs W-10B:1pcs
M6*25:1set

WJ-10 COLOR: ● BK ● ZN ● CN ● NI

W-12:2pcs WJP-06:1pcs
M6*25:1set

WJ-11 COLOR: ● BK ● ZN ● CN ● NI

W-13:2pcs
M6*25:1set

WJ-11A COLOR: ● BK ● ZN ● CN ● NI

W-13A:2pcs
M6*25:1set

WJ-12 COLOR: ● BK ● ZN ● CN ● NI

W-6:4 pcs W-14:2pcs
M6*25:4set

WJ-13 COLOR: ● BK ● ZN ● CN ● NI

W-15A:1pcs W-15B:1pcs
M6*12:1set

WJ-14-30 COLOR: ● BK ● ZN ● CN ● NI

W-8-30:2pcs
M6*25:1set

WJ-14-45 COLOR: ● BK ● ZN ● CN ● NI

W-8-45:2pcs
M6*25:1set

WJ-14-60 COLOR: ● BK ● ZN ● CN ● NI

W-8-60:2pcs
M6*25:1set

WJ-15 COLOR: ● BK ● ZN ● CN ● NI

W-18A:2pcs
M6*25:1set

WJ-15A COLOR: ● BK ● ZN ● CN ● NI

W-18A:1 pcs W-18B:1pcs
M6*25:1set

WJ-16-90 COLOR: ● BK ● ZN ● CN ● NI

W-11-90:2pcs
M6*25:2set

WJ-16-110 COLOR: ● BK ● ZN ● CN ● NI

W-11-110:2 pcs
M6*25:2set

WJ-16-160 COLOR: ● BK ● ZN ● CN ● NI

W-11-160:2pcs
M6*25:2set

WJ-16-180 COLOR: ● BK ● ZN ● CN ● NI

W-11-180:2pcs
M6*25:1set

WJ-17 COLOR: ● BK ● ZN ● CN ● NI

W-17:2pcs
M6*25:1set

WJ-18 COLOR: ● BK ● ZN ● CN ● NI

W-19:2pcs
M6*25:1set

WJ-18A COLOR: ● BK ● ZN ● CN ● NI


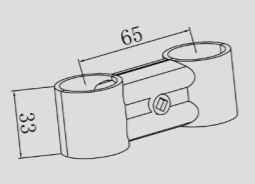
W-19:1pcs W-1:1pcs
M6*25:1set

WJ-19 COLOR: ● BK ● ZN ● CN ● NI

W-20:2pcs
M6*25:1set

28MM TUBE JOINT 28MM

WJ-20 COLOR: ● BK ● ZN ● CN ● NI


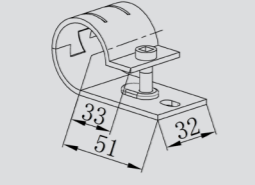
W-25:2pcs
M6*25:1set

WJ-21 COLOR: ● BK ● ZN ● CN ● NI



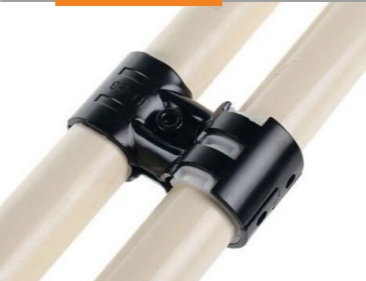
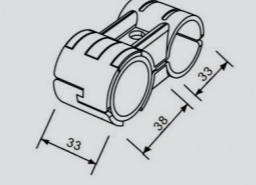

W-21:2pcs
M6*25:1set

WJ-22 COLOR: ● BK ● ZN ● CN ● NI


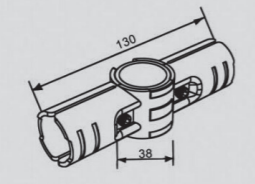
W-22A:1pcs W-22B:1pcs
M6*25:1set

WJ-23 COLOR: ● BK ● ZN ● CN ● NI


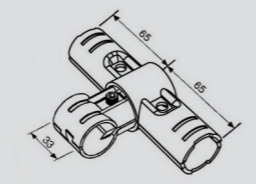
W-9A:2 pcs WJP-06:1pcs
M6*25:1

WJ-24 COLOR: ● BK ● ZN ● CN ● NI


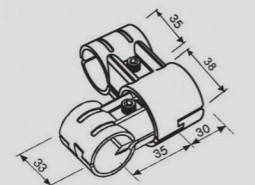
W-4B:2pcs WJP-06:1pcs
M6*25:2set

WJ-25 COLOR: ● BK ● ZN ● CN ● NI


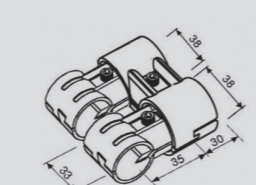
W-4A:2pcs
M6*25:2set

WJ-26 COLOR: ● BK ● ZN ● CN ● NI

W-13B:2set
M6*25:1set

WJ-27 COLOR: ● BK ● ZN ● CN ● NI

W-13C:2pcs
M6*25:1set

DETAILED DESCRIPTION OF COATED PIPE 28.6MM 28.3&28.6MM

NAMED OF PRODUCT

STANDARD COLOR OF COATED PIPE



IV: Ivory
WH: White
SB: Sky Blue
DB: Dark Blue
RE: Red
GR: Green
YE: Yellow
BE: Beige
LG: Light Gray
DG: Dark Gray
BK: Black
EBK: ESD Black
ESD GRAY
ESD IVORY

※T=THICKNESS

07=T0.7

08=T0.8

10=T1.0

12=T1.2

15=T1.5

20=T2.0

※LENGTH

- customizable


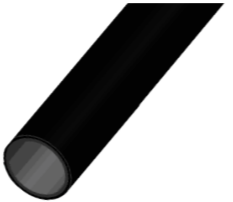

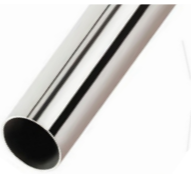
※CUSTOMIZABLE

- color, we can do it according customer sample, The MOQ is 1000PCS


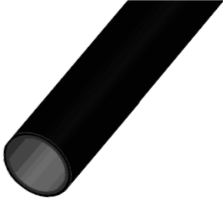




- means accept any quantity

COATED PIPE(28.3MM) 28.3mm

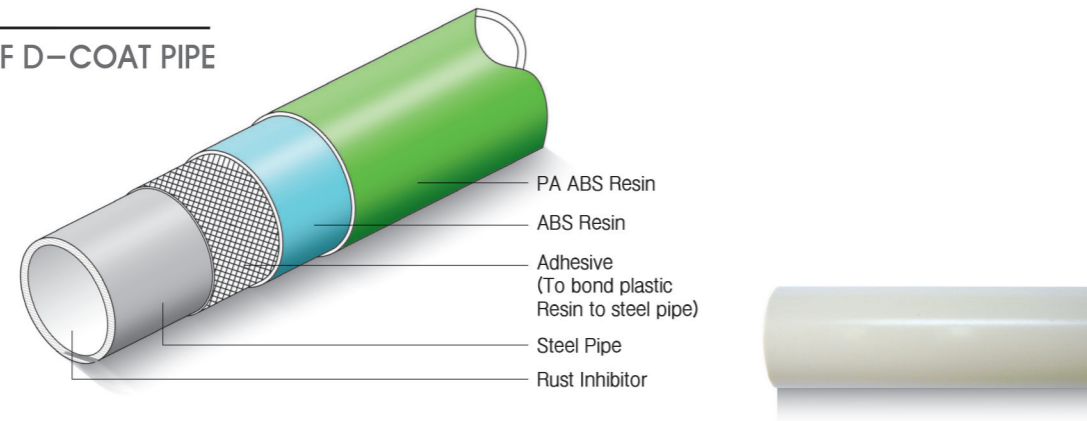
Part Number	Dimension	Weight	Capacity	MOQ	Classification	Standard Length	Color	Photo
	(mm)	(g/meter)	(kg/m)	(pcs)		(mm)		
CP-2907	28.3*0.7	495	40		Coated Pipe	4000	IV WH SB DB RE GR YE BE LG BK	
CP-2910	28.3*1.0	680	85					
CP-2912	28.3*1.2	785	105	500				
CP-2920	28.3*2.0	1200	185	500				
CP-2907ESD	28.3*0.7	505	45		Coated Pipe	4000	EBK ESD Gray	
CP-2910ESD	28.3*1.0	700	100					
CP-2912ESD	28.3*1.2	800	120	500				
CP-2920ESD	28.3*2.0	1300	200	500				
PCP-2910	28.3*1.0	600			Powder Coated Pipe (PCP)	4000	Any colour	
PCP-2920	28.3*2.0	1200						
SPS-2907	28.3*0.7	500	40	500	SUS439 SUS201 SUS304	4000	sliver	
SPS-2910	28.3*1.0	670	90	500				
SPS-2912	28.3*1.2	780	110	750				

COATED PIPE(28.6MM) 28.6mm

Part Number	Dimension	Weight	Capacity	MOQ	Classification	Standard Length	Color	Photo
	(mm)	(g/meter)	(kg/m)	(pcs)		(mm)		
CP-3007	28.6*0.7	505	45		Coated Pipe	4000	IV WH SB DB RE GR YE BE LG BK	
CP-3010	28.6*1.0	700	100					
CP-3012	28.6*1.2	800	120	500				
CP-3020	28.6*2.0	1300	200	500				
CP-3007ESD	28.6*0.7	505	45		Coated Pipe	4000	EBK ESD Gray	
CP-3010ESD	28.6*1.0	700	100					
CP-3012ESD	28.6*1.2	800	120	500				
CP-3020ESD	28.6*2.0	1300	200	500				
PCP-3010	28.6*1.0	600			Powder Coated Pipe (PCP)	4000	Any colour	
PCP-3020	28.6*2.0	1200						
SPS-3007	28.6*0.7	500	40	500	SUS439 SUS201 SUS304	4000	sliver	
SPS-3010	28.6*1.0	670	90	500				
SPS-3012	28.6*1.2	780	110	750				



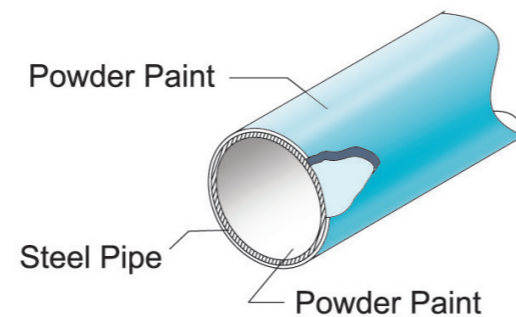
FEATURES OF D-COAT PIPE



1. Steel pipe is coated with ABS. Then, the surface is coated again with the new material of PA ABS.
2. Compared to the conventional ABS coating pipe, D-Coat Pipe is outstanding in oil resistance and chemical resistance. In particular, salinity, rust preventative oil or cutting oil does not cause cracks or discoloration of the pipe.
3. This product comes in a variety of colors for use in various items or per company 's image.
4. With outstanding durability, this pipe is easily processed. Rustproof coating inside the pipe provides superior corrosion resistance.



1. **Environmental**
 - ECO-pipe is fully recyclable.
 Powder painted steel pipe of internal and external surface
2. **Economical**
 - 20% less than coated pipe
 - 35% less than ESD coated pipe
 - 30% less than stainless steel pipe

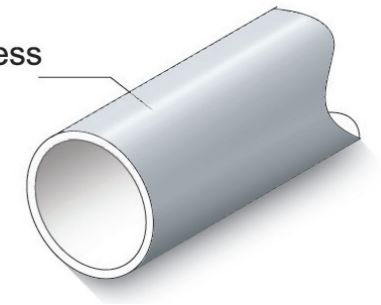


3. **Colorful**
 - Wider selection of colors and textures.
4. **Chemical resistant**
 - High resistant to oil, UV light, and corrosion.
5. **Non-flammable**
 - No emission of toxic fumes in fire.
6. **Electrolytic Corrosion Free**
 - Free of Electrolytic Corrosion.

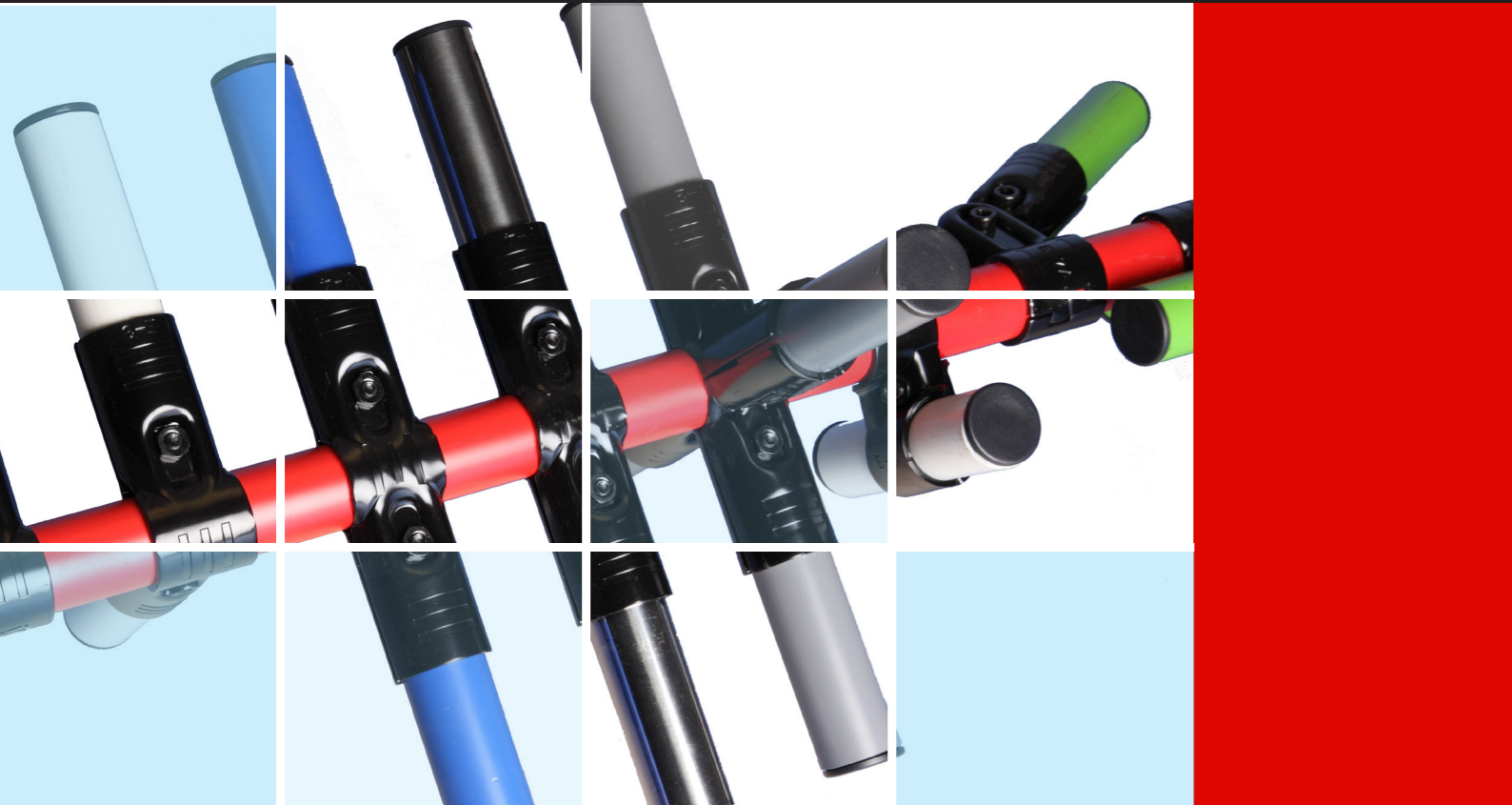
THE ADVANTAGES OF STAINLESS PIPE

1. **Environmental**
 - Stainless pipe which is 100% recycable
2. **High Strength & Durability**
 - Surface resistant to light abrasion or contact with metal tools
3. **High Oil & Chemical Resistance**
 - High resistance to oil, solvents, bleaches, etc.
4. **Non-Flammable**
 - Inherently non-flammable.
5. **Conductive**
 - Inherently conductive

Stainless Pipe



METAL JOINTS 28.6



※COLOR

	Black	BK
	Zinc	ZN
	Chrome	CN
	Nickel	NI

※MATERIAL

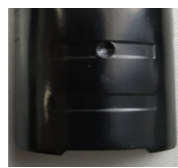
- SPCC、SUS 304

※THICKNESS

-

※PRODUCT DETAILS

can be punched and fixed



Innovated Joint with Assembly help line the side pressing line of the hardware



Two-wire pressure root non-

※CUSTOMIZABLE



- The position where you can type

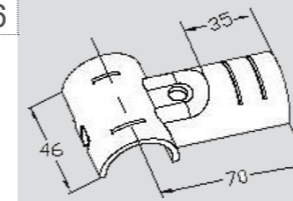
28.6MM TUBE JOINT 28.6MM

MATERIAL:SPCC

L-1

COLOR: ● BK ● ZN ● CN ● NI

28.6

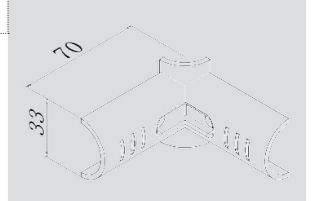


Weight:0.07kg
Qty/box:300pcs

L-2

COLOR: ● BK ● ZN ● CN ● NI

28.6

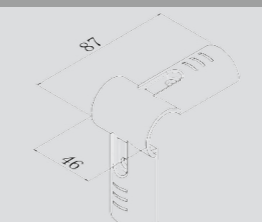


Weight:0.07kg
Qty/box:300pcs

L-3

COLOR: ● BK ● ZN ● CN ● NI

28.6

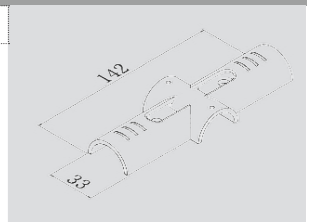


Weight:0.07kg
Qty/box:300pcs

L-4

COLOR: ● BK ● ZN ● CN ● NI

28.6

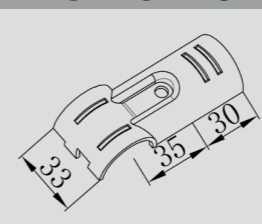


Weight:0.07kg
Qty/box:300pcs

S-1

COLOR: ● BK ● ZN ● CN ● NI

28.6

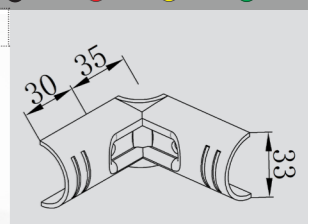


Weight:0.07kg
Qty/box:300pcs

S-2

COLOR: ● BK ● ZN ● CN ● NI

28.6

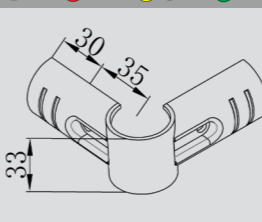


Weight:0.091kg
Qty/box:200pcs

S-3

COLOR: ● BK ● ZN ● CN ● NI

28.6

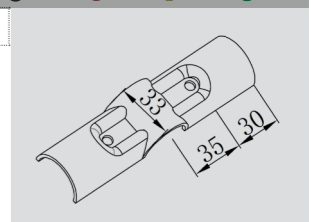


Weight:0.125kg
Qty/box:100pcs

S-4

COLOR: ● BK ● ZN ● CN ● NI

28.6

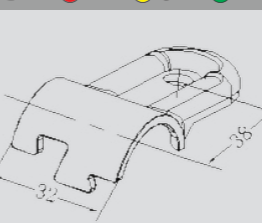


Weight:0.11kg
Qty/box:200pcs

S-5

COLOR: ● BK ● ZN ● CN ● NI

28.6

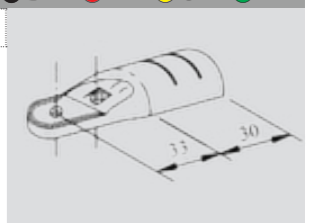


Weight:0.07kg
Qty/box:300pcs

S-6

COLOR: ● BK ● ZN ● CN ● NI

28.6



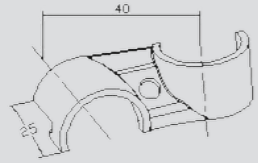
Weight:0.07kg
Qty/box:300pcs

28.3&28.6MM TUBE JOINT 28.3&28.6MM

S-7

COLOR: ● BK ● ZN ● CN ● NI

28.6

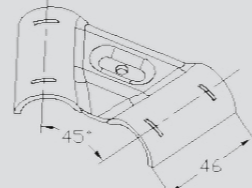


Weight:0.07kg
Qty/box:300pcs

S-8-45

COLOR: ● BK ● ZN ● CN ● NI

28.6

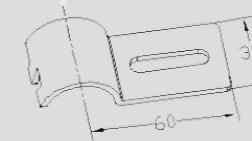


Weight:0.07kg
Qty/box:300pcs

S-17

COLOR: ● BK ● ZN ● CN ● NI

28.6

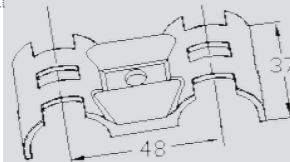


Weight:0.07kg
Qty/box:300pcs

S-9

COLOR: ● BK ● ZN ● CN ● NI

28.6

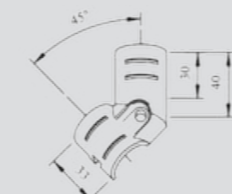


Weight:0.07kg
Qty/box:300pcs

S-10A

COLOR: ● BK ● ZN ● CN ● NI

28.6

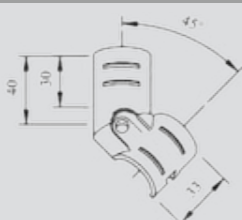


Weight:0.07kg
Qty/box:300pcs

S-10B

COLOR: ● BK ● ZN ● CN ● NI

28.6

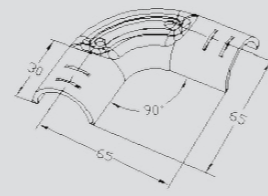


Weight:0.07kg
Qty/box:300pcs

S-11-90

COLOR: ● BK ● ZN ● CN ● NI

28.6

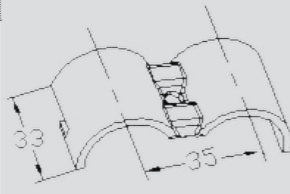


Weight:0.07kg
Qty/box:300pcs

S-13

COLOR: ● BK ● ZN ● CN ● NI

28.6

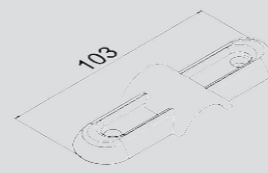


Weight:0.07kg
Qty/box:300pcs

S-14

COLOR: ● BK ● ZN ● CN ● NI

28.6

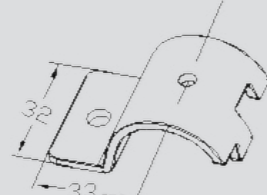


Weight:0.07kg
Qty/box:300pcs

S-15A

COLOR: ● BK ● ZN ● CN ● NI

28.6

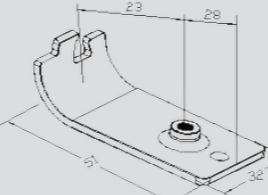


Weight:0.07kg
Qty/box:300pcs

S-15B

COLOR: ● BK ● ZN ● CN ● NI

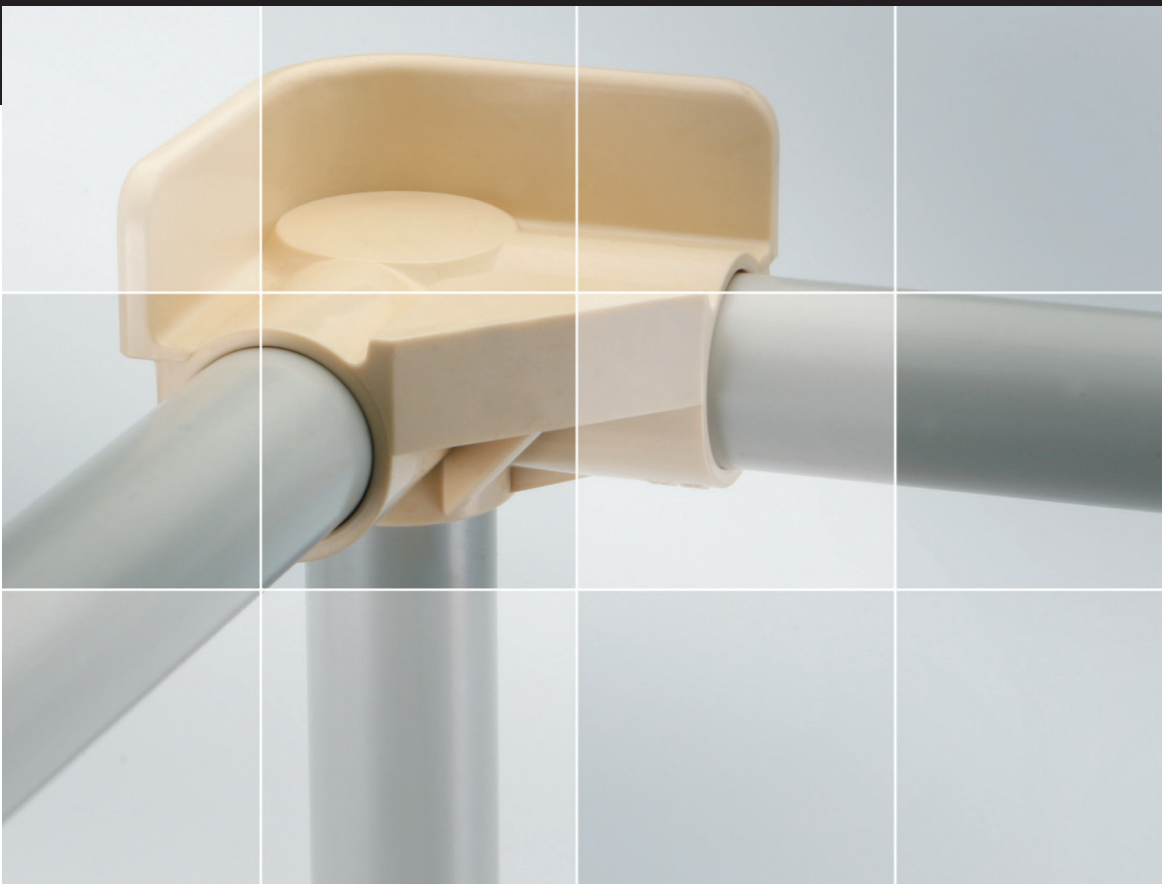
28.6



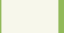
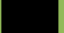
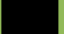
Weight:0.07kg
Qty/box:300pcs



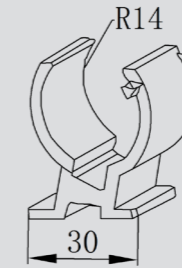
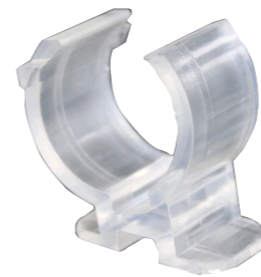
PLASTIC



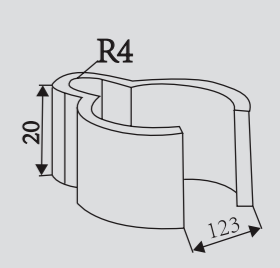
COLOR

	IV:Ivory
	BK:Black
	EBK: ESD Black

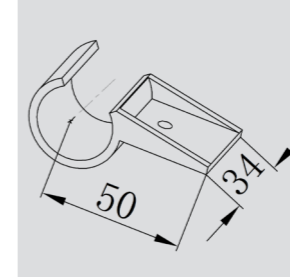
WJP-01 COLOR: ○ TR



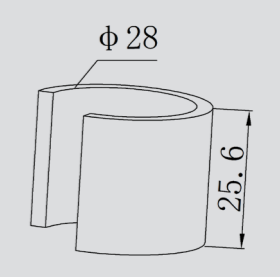
WJP-02 COLOR: ● EBK ○ IV ○ BK



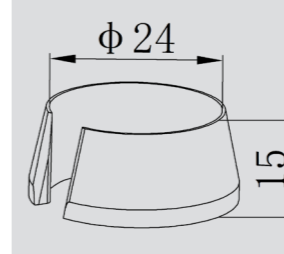
WJP-03 COLOR: ● EBK ○ IV ○ BK



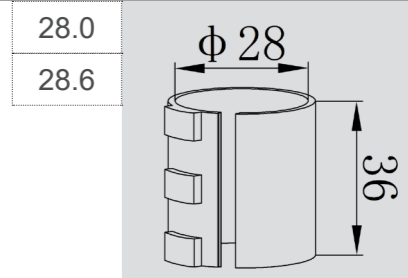
W J P - COLOR: ● EBK ○ IV ○ BK



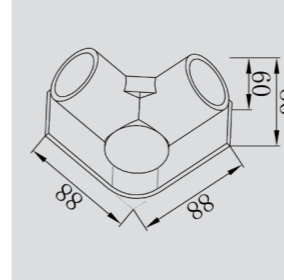
WJP-05 COLOR: ● EBK ○ IV ○ BK



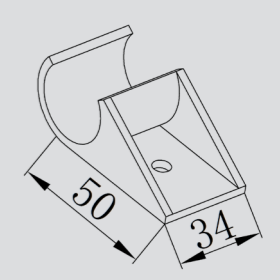
WJP-06 COLOR: ● EBK ○ IV ○ BK



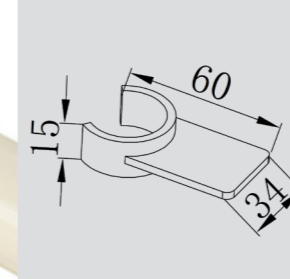
WJP-07 COLOR: ● EBK ○ IV ○ BK



WJP-08 COLOR: ● EBK ○ IV ○ BK



W J P - COLOR: ● EBK ○ IV ○ BK

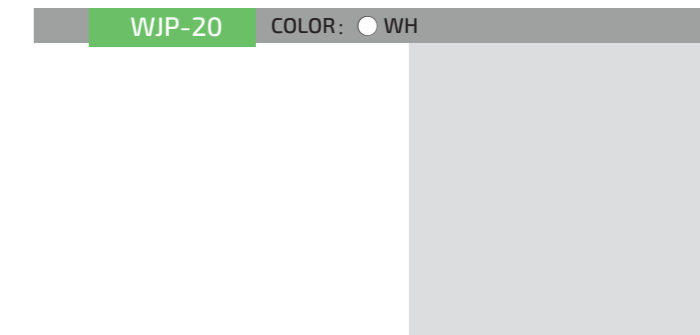
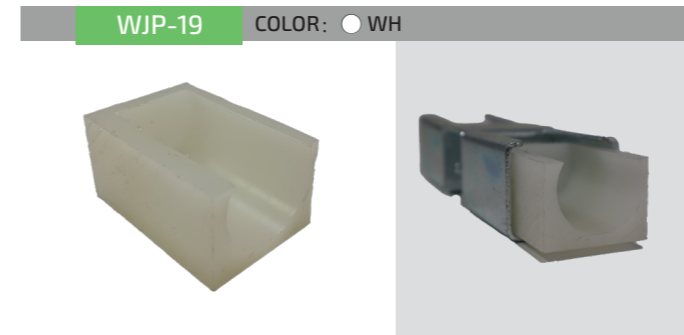
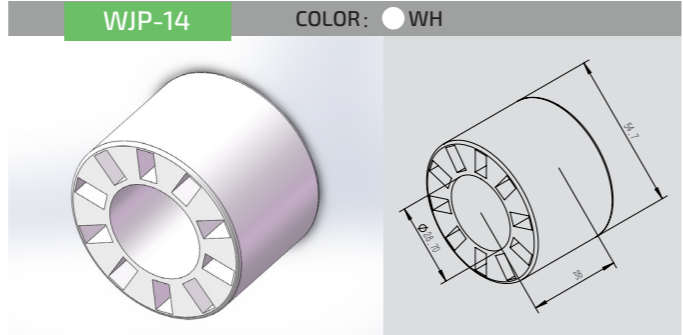
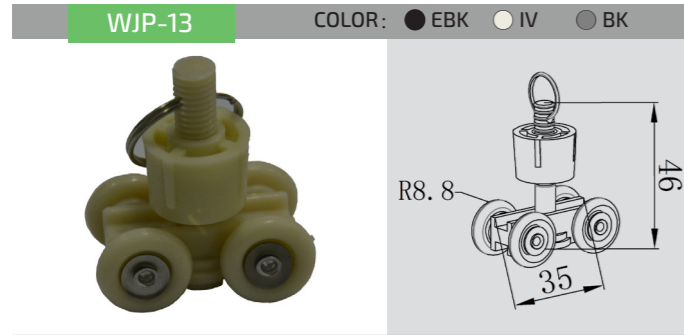
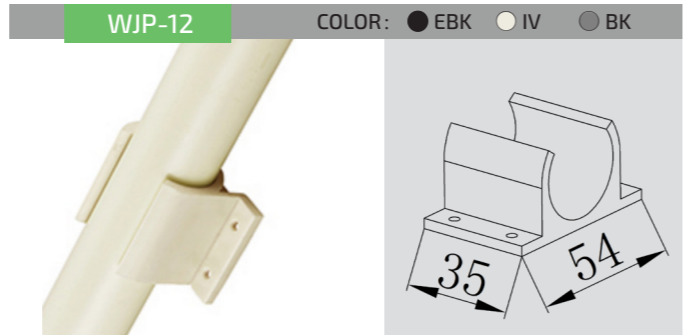
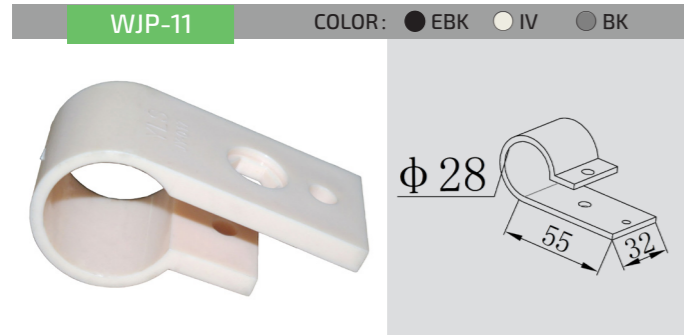
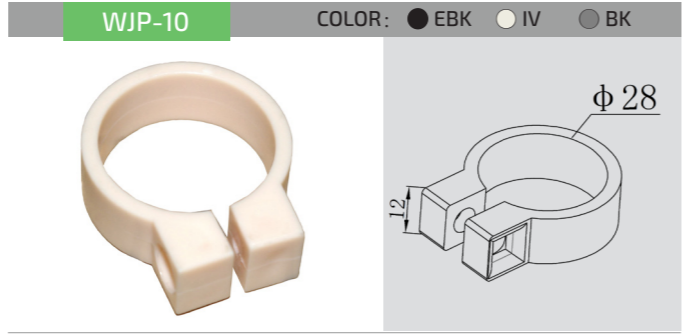
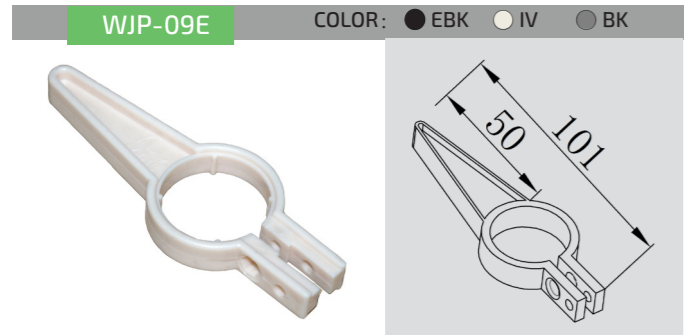
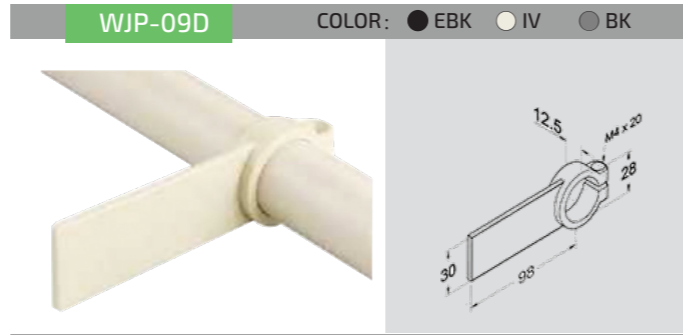
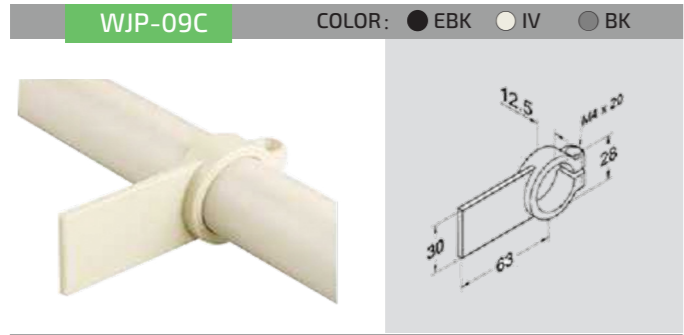


WJP-09B COLOR: ● EBK ○ IV ○ BK



PLASTIC JOINT

PLASTIC JOINT



ROLLER TRACKS



SERIES

- 35 series
- 40 series
- 60 series
- 72 series
- 85 series

STEEL ROLLER TRACKS

Series	Item No.	Main frame material	High (mm)	slot High (mm)	Groove width (mm)	Roller Diameter (mm)	Wheel width (mm)	wheels distance (mm)	Roller Pitch (mm)	weight kg/m	standard length (m)
35 Series	RTS-35A	steel	35	26.5	35	31	24	34	3	0.78	4
40 series	RTS-40A	steel	43	32	40	31	21.5	36	4	1.1	4
	RTS-40B	steel	43	32	40	31	21.5	36	4	1.07	4
	RTS-40C	steel	44	32	40	33.5	24	37	4	1.17	4
	RTS-40D	steel	44	32	40	33.5	24	37	4	1.15	4
	RTS-47A	steel	52	32	40	49	25	50	4	1.1	4
	RTS-48A	steel	44.5	32	40	34	26.5	25	4	1.2	4
	RTS-48B	steel	49	32	40	43	24	50	4	4.5	4
RTS-48C	steel	53	33	40	51	17	67	4	1.4	4	
60 Series	RTS-60A	steel	27	25	60	15	42	17	4	1.2	4
	RTS-60B	steel	35	33	60	30	42	37	5	1.35	4
85 Series	RTS-85A	steel	49	34	85	43	53	49	5	2.3	4
	RTS-85B	steel	44	33	85	34	68.5	25	5	3.3	4

ALUMINUM ROLLER TRACKS

Series	Item No.	Main frame material	High (mm)	slot High (mm)	Groove width (mm)	Roller Diameter (mm)	Wheel width (mm)	wheels distance (mm)	Roller Pitch (mm)	weight kg/m	standard length(m)
40 series	RTA-40A	Aluminum	42.5	35	40	33	20	41	4	0.7	4
	RTA-40B	Aluminum	38.5	35	40	28	28	45.5	4	0.75	4
	RTA-40C	Aluminum	51	35	40	33	20	41	4	0.8	4
	RTA-47A	Aluminum	42.5	35	40	33	20	41	4	0.8	4
	RTA-47B	Aluminum	38.5	35	40	28	22	45.5	4	0.6	4
60 series	RTA-60	Aluminum	42	35	60	30	44	41	4	1.22	4
72 series	RTA-72	Aluminum	42	35	72	34	54	45	5	1.25	4
85 series	RTA-85	Aluminum	42	35	85	38	64	49	5	1.56	4

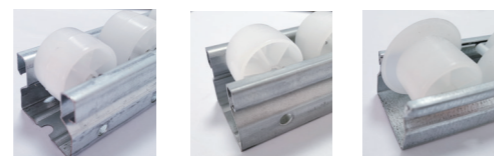
※COLOR

white	WH
black	BK
esd black	EBK
yellow	YE
gray	GR

※LENGTH

4000mm
Other lengths can also be customized,
MOQ=1000pcs

WHEEL TYPE



TAPER TYPE FLAT TYPE FLANGE TYPE

※MATERIAL

steel
aluminum


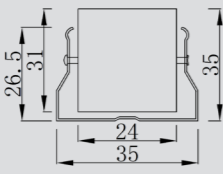
STEEL ROLLER PLACON

STEEL ROLLER PLACON

ROLLER PLACON


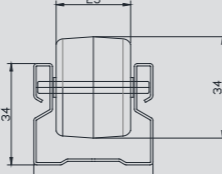
ROLLER PLACON

RTS-35A COLOR: ● WH ● YE ● ESK ○ GR


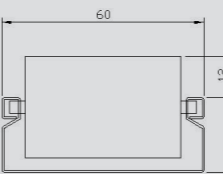
L.W:4000mm.35mm
Weight:0.78kg/m

RTS-40A (taper type) COLOR: ● WH ● YE ● ESK ○ GR


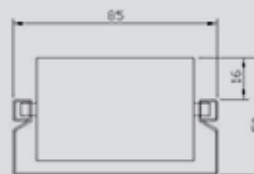
L.W:4000mm.40mm
Weight:1.1kg/m

RTS-60B COLOR: ● WH ● YE ● ESK ○ GR


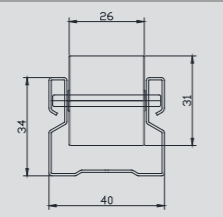
L.W:4000mm.60mm
Weight:1.42kg/m

RTS-85A COLOR: ● WH ● YE ● ESK ○ GR


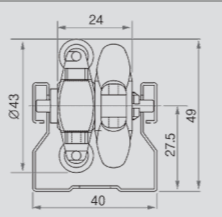



L.W:4000mm.85mm
Weight:1.5kg/m


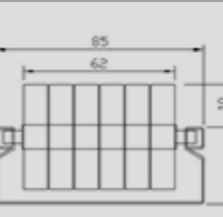
RTS-40B (flat type) COLOR: ● WH ● YE ● ESK ○ GR

RTS-40C COLOR: ● WH ● YE ● ESK ○ GR


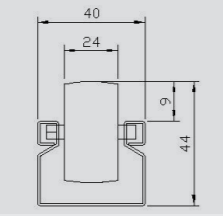



RTS-85B COLOR: ● WH ● YE ● ESK ○ GR


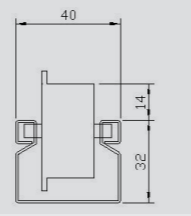



L.W:4000mm.85mm
Weight:1.8kg/m

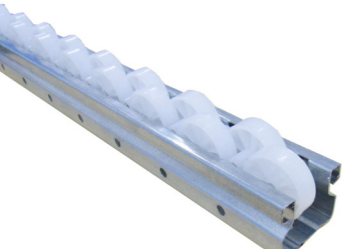
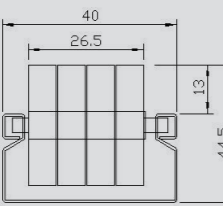
RTS-40D COLOR: ● WH ● YE ● ESK ○ GR

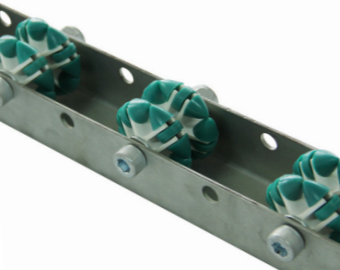
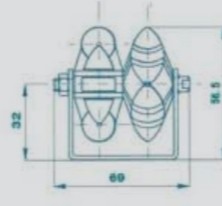
RTS-47A COLOR: ● WH ● YE ● ESK ○ GR


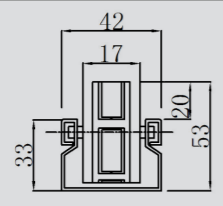
RTS-48A COLOR: ● WH ● YE ● ESK ○ GR

RTS-48B COLOR: ● WH ● YE ● ESK ○ GR


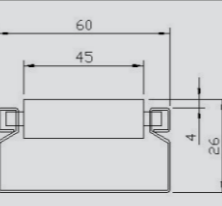



RTS-48C COLOR: ● WH ● YE ● ESK ○ GR

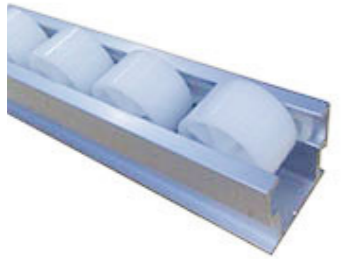
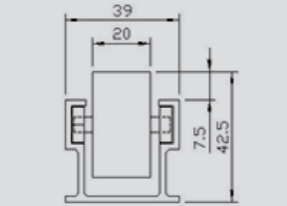
L:1000mm
Weight:1.4kg/m

RTS-60A COLOR: ● WH ● YE ● ESK ○ GR


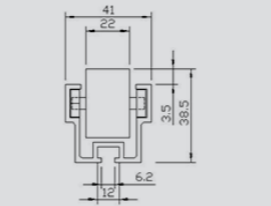

ALUMINUM ROLLER PLACON

RTA-40A COLOR: ● WH ● YE ● ESK ○ GR


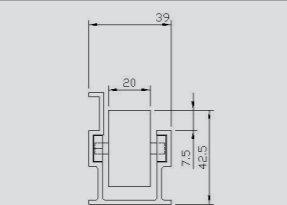
L.W:4000mm.40mm
Weight:0.5kg/m

RTA-40B COLOR: ● WH ● YE ● ESK ○ GR


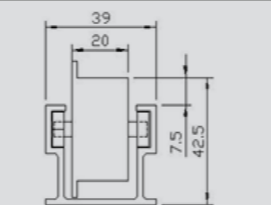
L.W:4000mm.40mm
Weight:0.5kg/m

RTA-40C COLOR: ● WH ● YE ● ESK ○ GR


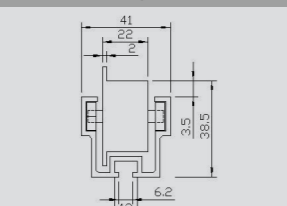
L.W:4000mm.40mm
Weight:0.8kg/m

RTA-47A COLOR: ● WH ● YE ● ESK ○ GR


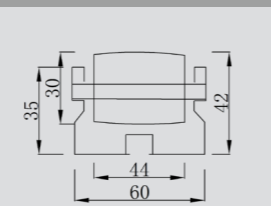
L.W:4000mm.40mm
Weight:0.8kg/m

RTA-47B COLOR: ● WH ● YE ● ESK ○ GR

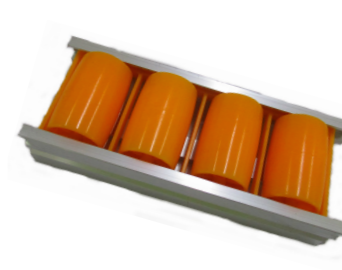
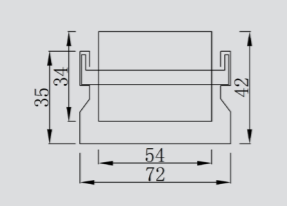
L.W:4000mm.40mm
Weight:0.6kg/m

RTA - COLOR: ● WH ● YE ● ESK ○ GR

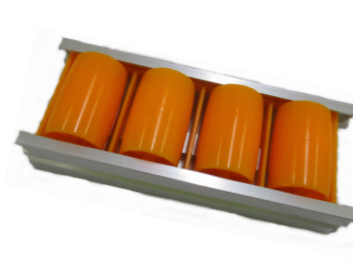
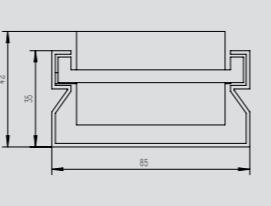
L.W:4000mm.60mm
Weight:1.22kg/m

RTA-72A COLOR: ● WH ● YE ● ESK ○ GR

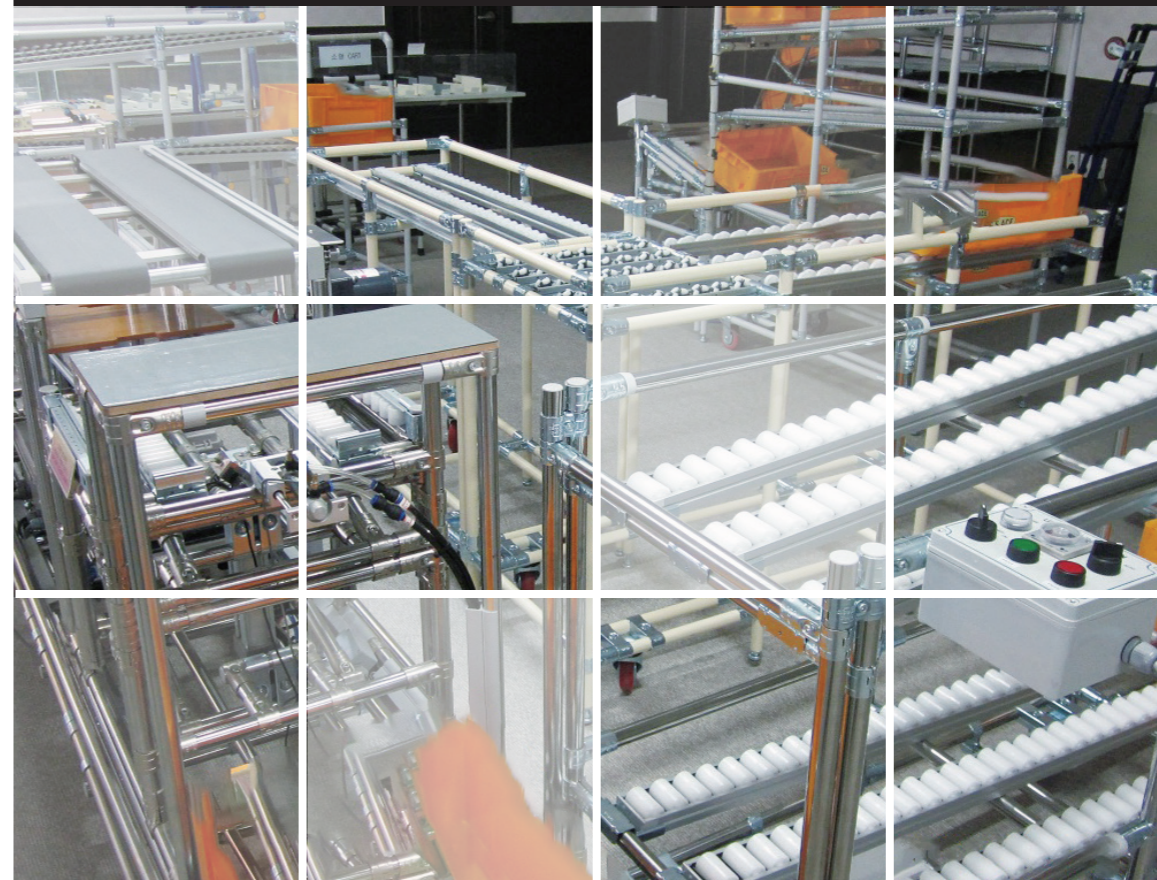
L.W:4000mm.72mm
Weight:1.25kg/m

RTA-85A COLOR: ● WH ● YE ● ESK ○ GR

L.W:4000mm.85mm
Weight:1.65kg/m

MOUNTING BRACKETS



SERIES

- 35 series
- 40 series
- 60 series
- 72 series
- 85 series

ROLLER COLOR

ZINC	ZN
NICKEL	NI
CHROME	CN

COLOUR



PRODUCT STANDARDS

- A.welding
- B.Perforated tapping

BRAKE PAD

RT-B-40 COLOR: ZN NI CN



Weight:45g

RT-B-60 COLOR: ZN NI CN



Weight:65g
Package:200pcs

RT-B-72 COLOR: ZN NI CN



Weight:185g
Package:150pcs

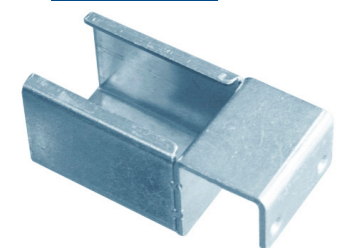
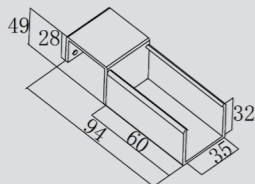
RT-B-85 COLOR: ZN NI CN



Weight:115g
Package:100pcs


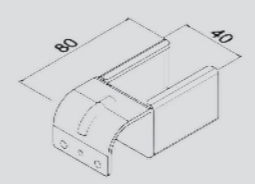
35 SERIES

RTJ-2035C1 COLOR: ZN NI CN


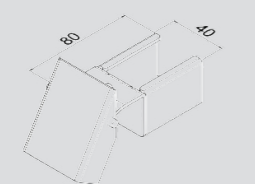
Weight:105g
Package:100pcs

RTJ-2035C2 COLOR: ZN NI CN

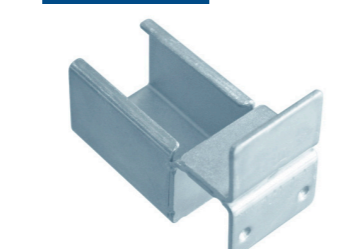
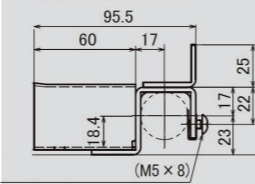
Weight:115g
Package:100pcs

RTJ-2035CD COLOR: ZN NI CN


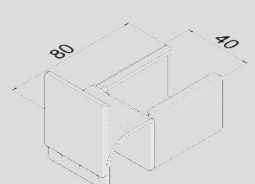
Weight:110g
Package:60pcs

RTJ-2035D COLOR: ZN NI CN

Weight:110g
Package:60pcs

RTJ- COLOR: ZN NI CN

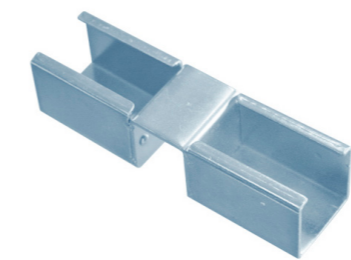
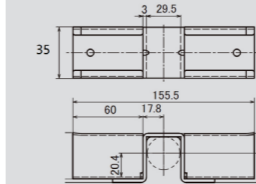
Weight:110g
Package:60pcs

RTJ-2035DW COLOR: ZN NI CN



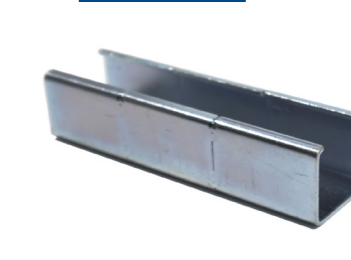
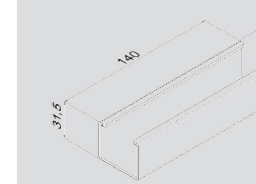

Weight:110g
Package:50pcs

RTJ-2035E COLOR: ZN NI CN

Weight:125g
Package:50pcs

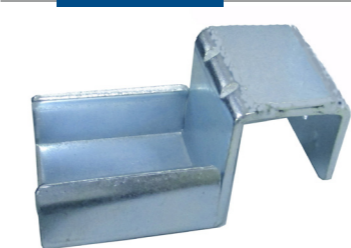
RTJ-2035U COLOR: ZN NI CN

Weight:110g
Package:50pcs

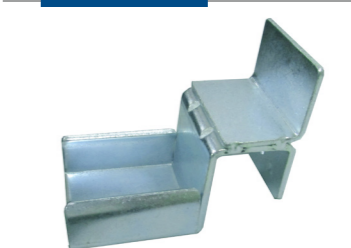
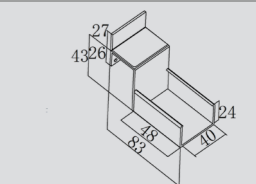
FOR 40 SERIES STEEL PLACON

RTJ-2040C COLOR: ZN NI CN




Weight:115g
Package:100pcs

RTJ-2040D COLOR: ZN NI CN

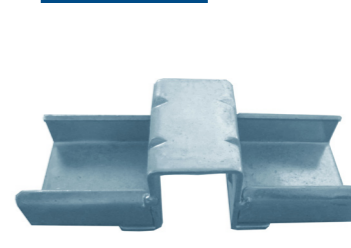
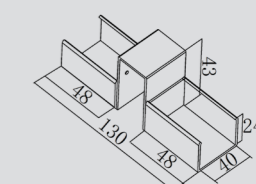
Weight:135g
Package:100pcs

RTJ-2040DW COLOR: ZN NI CN




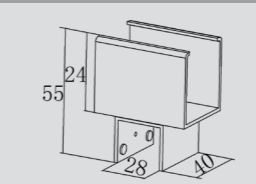

Weight:125g
Package:50pcs

RTJ-2040E COLOR: ZN NI CN

Weight:140g
Package:50pcs

RTJ-2040P COLOR: ZN NI CN


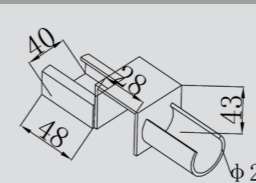
Weight:125g
Package:50pcs

RTJ-2040U COLOR: ZN NI CN



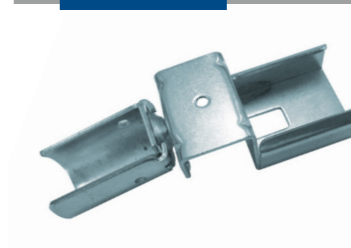
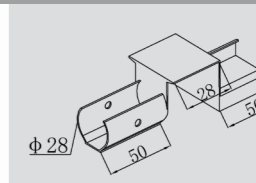

Weight:115g
Package:50pcs

RTJ-2040EF COLOR: ZN NI CN

Weight:115g
Package:50pcs

RTJ-2040EP COLOR: ZN NI CN

Weight:140g
Package:25pcs

MOUNTING BRACKETS

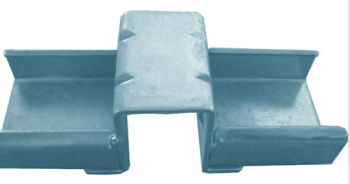
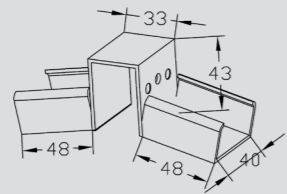
MOUNTING BRACKETS

MOUNTING BRACKETS

MOUNTING BRACKETS


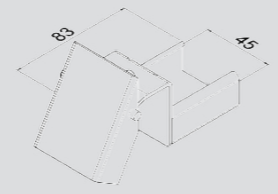
FOR 40 SERIES STEEL PLACON

RTJ-2040EE COLOR: ● ZN ○ NI ○ CN


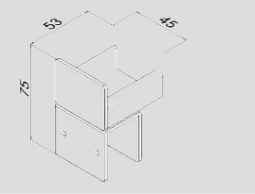
Weight:175g
Package:50pcs

RTJ-2040CD COLOR: ● ZN ○ NI ○ CN

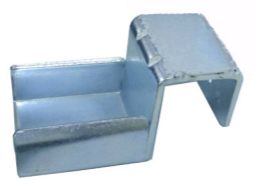

Weight:175g
Package:50pcs

RTJ-2040CP COLOR: ● ZN ○ NI ○ CN

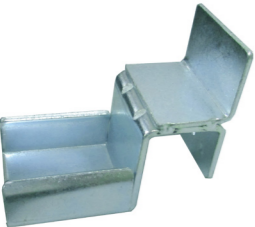

Weight:175g
Package:50pcs

RTJ-2044C COLOR: ● ZN ○ NI ○ CN

Weight:115g
Package:100pcs

RTJ-2044D COLOR: ● ZN ○ NI ○ CN

Weight:135g
Package:100pcs

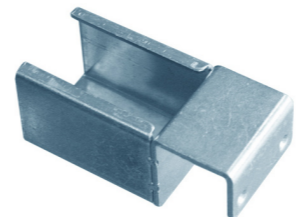
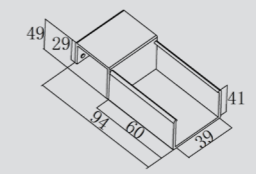
RTJ-2044DW COLOR: ● ZN ○ NI ○ CN




Weight:125g
Package:50pcs

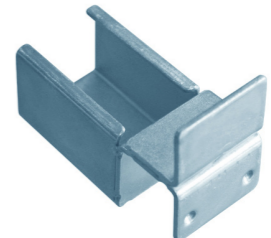
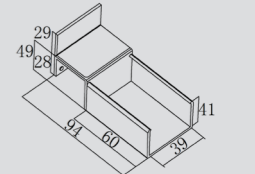
FOR 40 SERIES ALUMINUM PLACON

RTJ-2040C1 COLOR: ● ZN ○ NI ○ CN

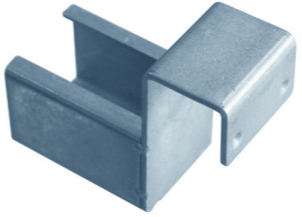
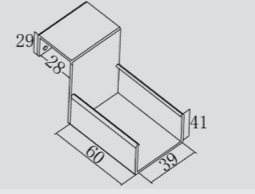
Weight:120g
Package:100pcs

RTJ-2040D1 COLOR: ● ZN ○ NI ○ CN

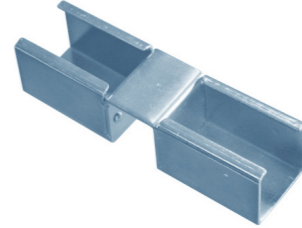
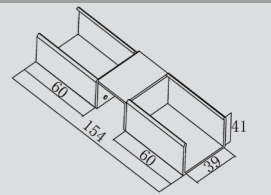
Weight:135g
Package:50pcs

RTJ-2040DW1 COLOR: ● ZN ○ NI ○ CN

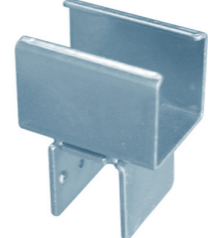
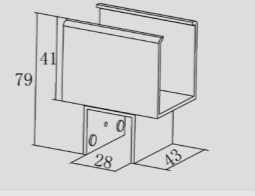
Weight:125g
Package:50pcs

RTJ-2040E1 COLOR: ● ZN ○ NI ○ CN

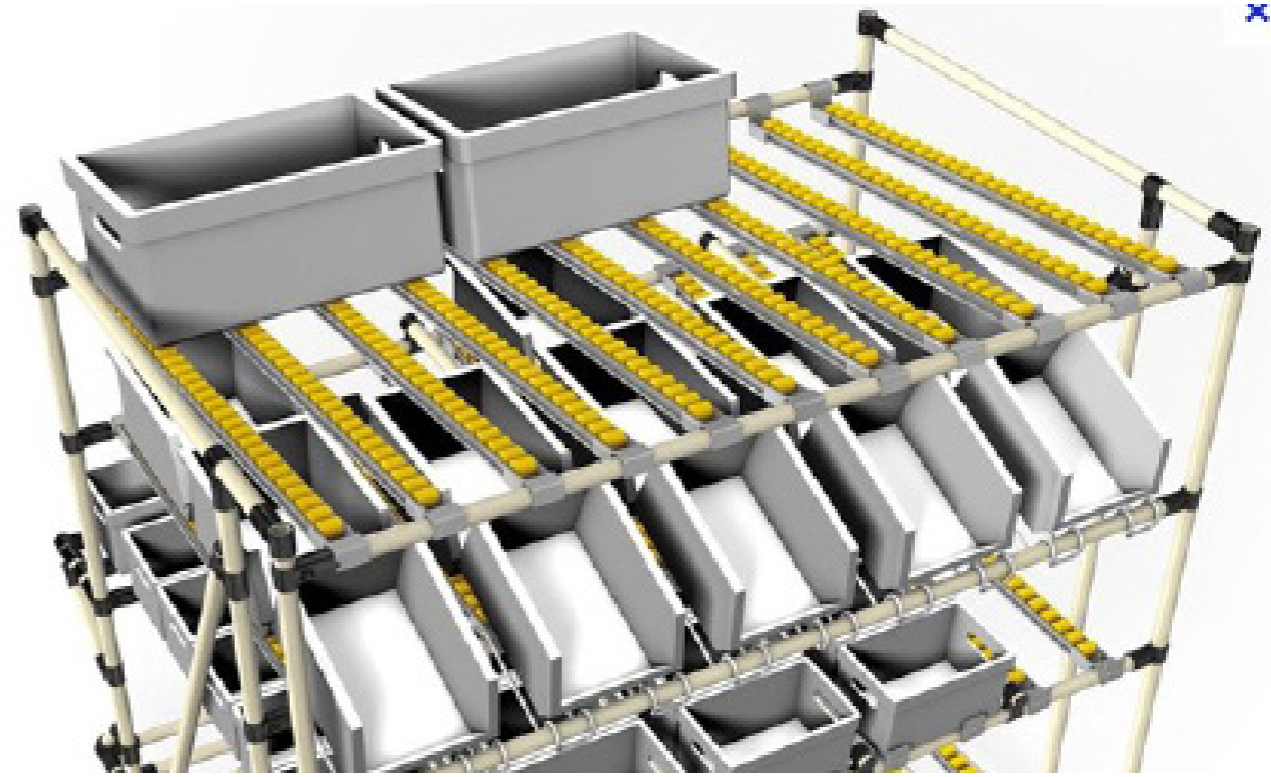



Weight:248g
Package:25pcs

RTJ-2040P1 COLOR: ● ZN ○ NI ○ CN

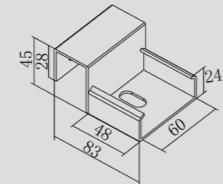
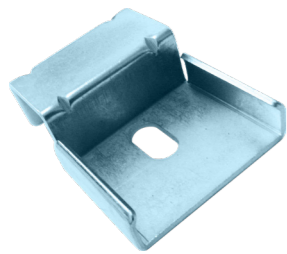



Weight:125g
Package:50pcs



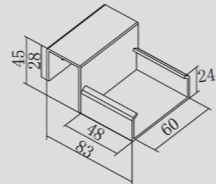
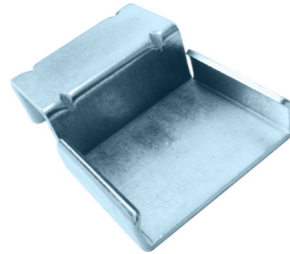
60 SERIES

RTJ-2060C-A COLOR: ● ZN ○ NI ○ CN



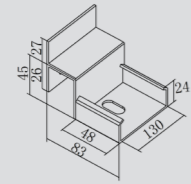
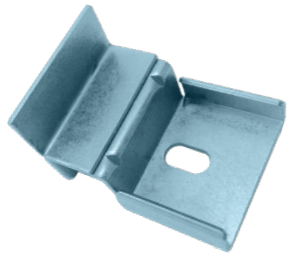
Weight:175g
Package:50pcs

RTJ-2060C-B COLOR: ● ZN ○ NI ○ CN



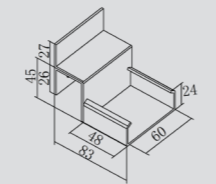
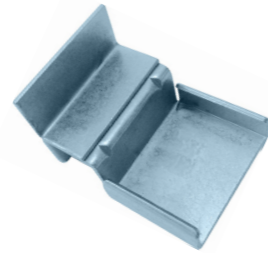
Weight:170g
Package:50pcs

RTJ-2060D-A COLOR: ● ZN ○ NI ○ CN



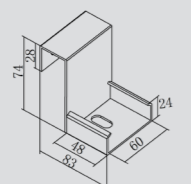
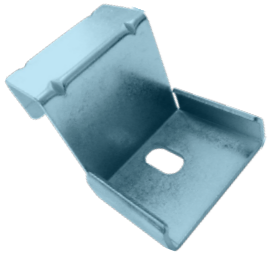
Weight:190g
Package:25pcs

RTJ-2060D-B COLOR: ● ZN ○ NI ○ CN



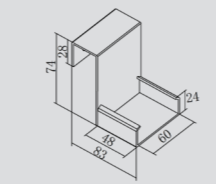
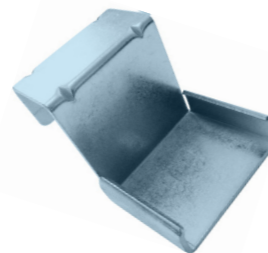
Weight:190g
Package:50pcs

RTJ-2060DW-A COLOR: ● ZN ○ NI ○ CN



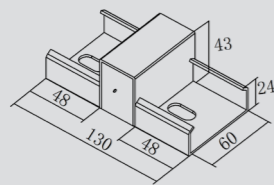
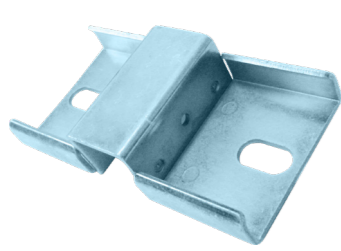
Weight:180g
Package:50pcs

RTJ-2060DW-B COLOR: ● ZN ○ NI ○ CN



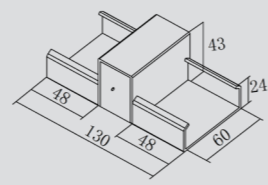
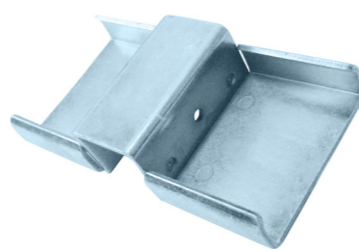
Weight:180g
Package:50pcs

RTJ-2060E-A COLOR: ● ZN ○ NI ○ CN



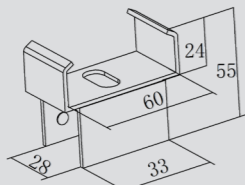
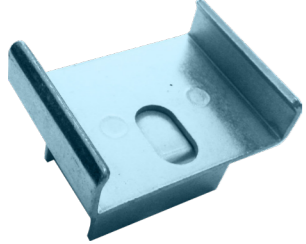
Weight:290g
Package:25pcs

RTJ-2060E-B COLOR: ● ZN ○ NI ○ CN



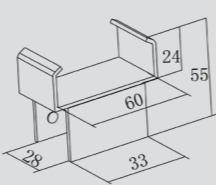
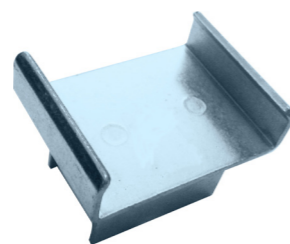
Weight:290g
Package:25pcs

RTJ-2060P-A COLOR: ● ZN ○ NI ○ CN



Weight:160g
Package:50pcs

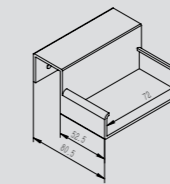
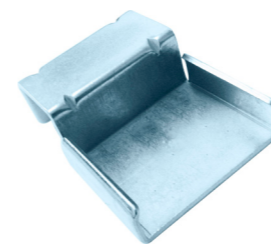
RTJ-2060P-B COLOR: ● ZN ○ NI ○ CN



Weight:160g
Package:50pcs

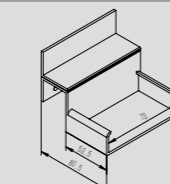
72 SERIES

RTJ-2072C COLOR: ● ZN ○ NI ○ CN



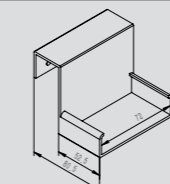
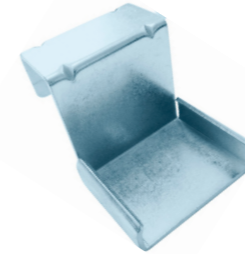
Weight:170g
Package:50pcs

RTJ-2072D COLOR: ● ZN ○ NI ○ CN



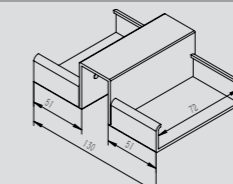
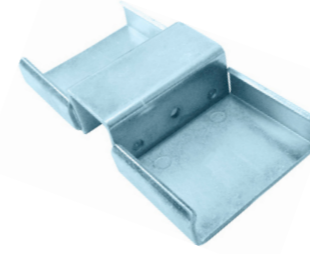
Weight:200g
Package:25pcs

RTJ-2072DW COLOR: ● ZN ○ NI ○ CN



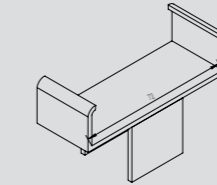
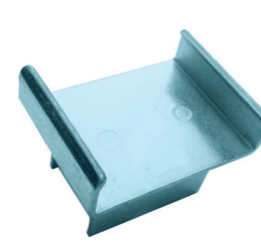
Weight:190g
Package:50pcs

RTJ-2072E COLOR: ● ZN ○ NI ○ CN



Weight:290g
Package:25pcs

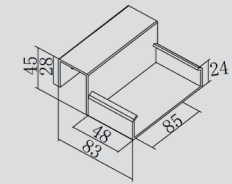
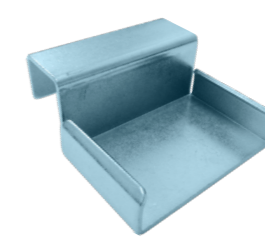
RTJ-2072P COLOR: ● ZN ○ NI ○ CN



Weight:160g
Package:50pcs

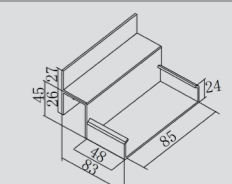
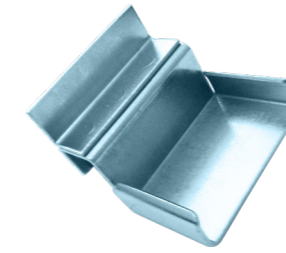
85 SERIES

RTJ-2085C COLOR: ● ZN ○ NI ○ CN



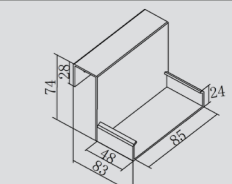
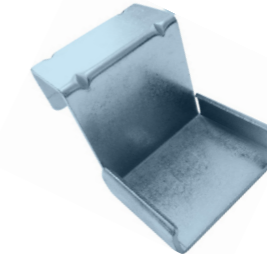
Weight:180g
Package:50pcs

RTJ-2085D COLOR: ● ZN ○ NI ○ CN



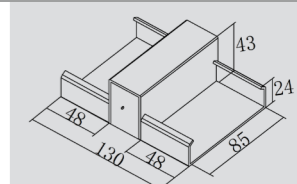
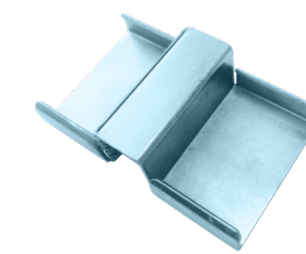
Weight:200g
Package:25pcs

RTJ-2085DW COLOR: ● ZN ○ NI ○ CN



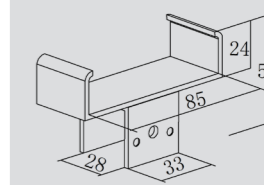
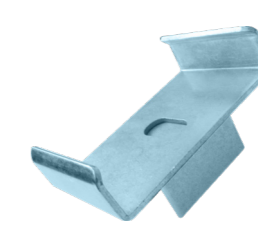
Weight:190g
Package:50pcs

RTJ-2085E COLOR: ● ZN ○ NI ○ CN



Weight:300g
Package:25pcs

RTJ-2085P COLOR: ● ZN ○ NI ○ CN

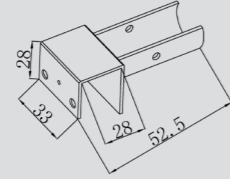
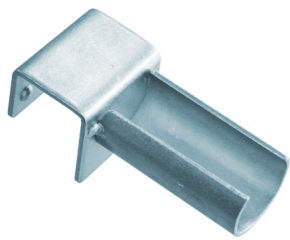


Weight:160g
Package:50pcs

SLIDE PIPE BRACKET

SLPJ-CF

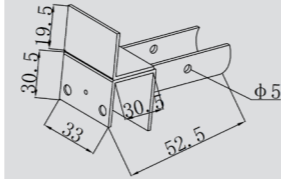
COLOR: ● ZN ○ NI ○ CN



Weight:150g
Package:50pcs

SLPJ-DF

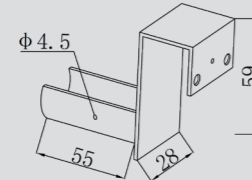
COLOR: ● ZN ○ NI ○ CN



Weight:250g
Package:50pcs

SLPJ-WF

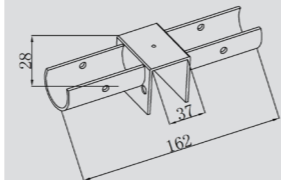
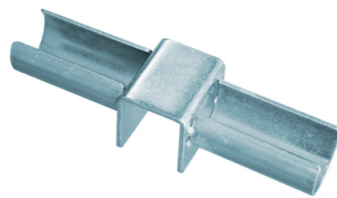
COLOR: ● ZN ○ NI ○ CN



Weight:180g
Package:50pcs

SLPJ-EF

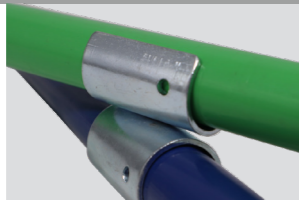
COLOR: ● ZN ○ NI ○ CN



Weight:220g
Package:25pcs

SLPJ-FF

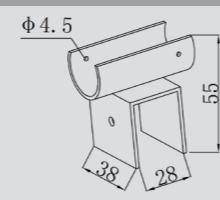
COLOR: ● ZN ○ NI ○ CN



Weight:140g
Package:50pcs

SLPJ-PF

COLOR: ● ZN ○ NI ○ CN

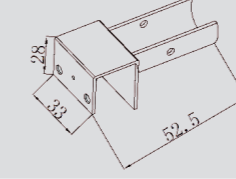
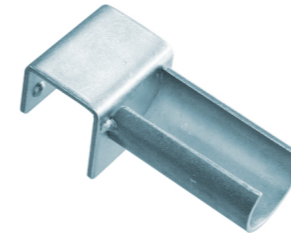


Weight:150g
Package:50pcs

SLIDE PIPE BRACKET FOR 28.6

S-CF

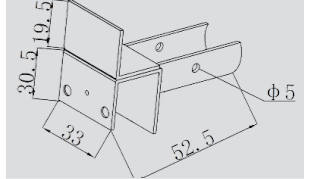
COLOR: ● ZN ○ NI ○ CN



Weight:150g
Package:50pcs

S-DF

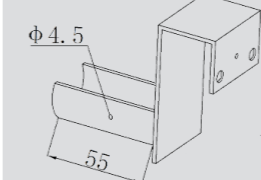
COLOR: ● ZN ○ NI ○ CN



Weight:250g
Package:50pcs

S-WF

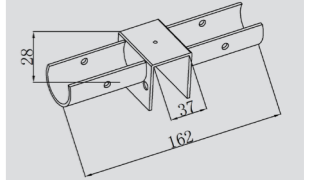
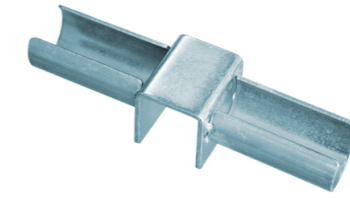
COLOR: ● ZN ○ NI ○ CN



Weight:180g
Package:50pcs

S-EF

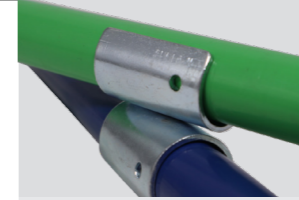
COLOR: ● ZN ○ NI ○ CN



Weight:220g
Package:25pcs

S-FF

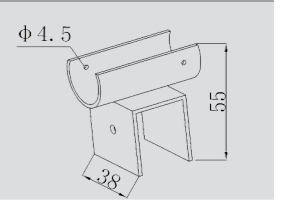
COLOR: ● ZN ○ NI ○ CN



Weight:140g
Package:50pcs

S-PF

COLOR: ● ZN ○ NI ○ CN



Weight:150g
Package:50pcs



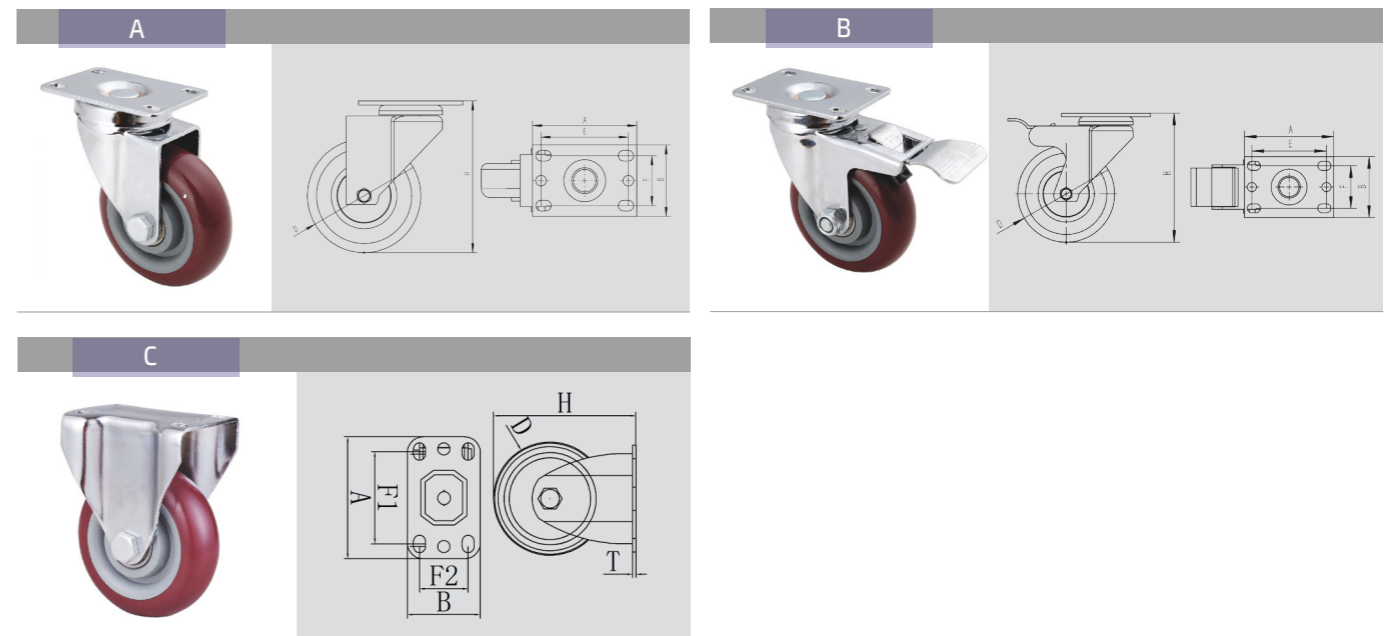
ACCESSORIES



CASTER

01 FIXED SERIES

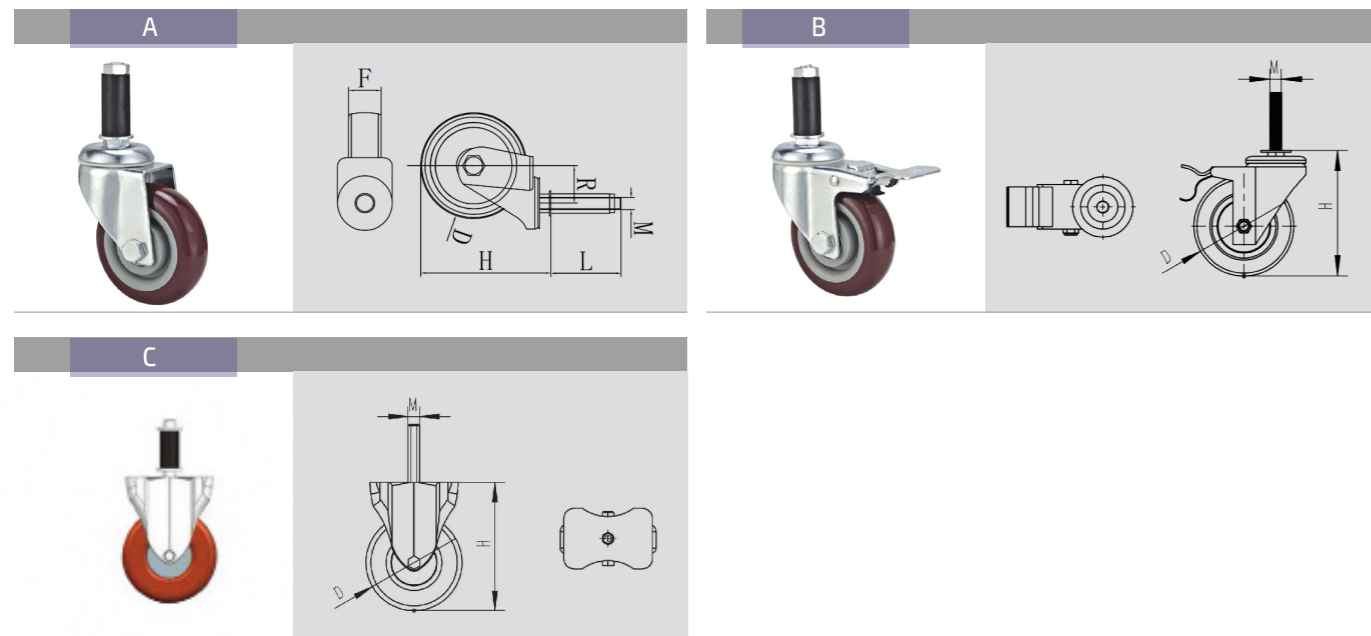
COLOR: ● ZN ○ NI ○ CN



Flat plate fixed Series	Wheel Dia (inch)	D (mm)	A*B	Material	Frame Material	Offset DistancePIA (mm)	Loading □N□	H □mm□	Weight □g□	Package □pcs□
WJ-301A	3"	75mm	70*60	TPR/PU/Rubber	steel	35	800	95	630	50
WJ-301A-ESD	3"	75mm	70*60	TPR/Rubber	steel	35	800	95	630	50
WJ-301B	3"	75mm	70*60	TPR/PU/Rubber	steel	35	800	95	730	50
WJ-301B-ESD	3"	75mm	70*60	TPR/Rubber	steel	35	800	95	730	50
WJ-301C	3"	75mm	70*60	TPR/PU/Rubber	steel	/	800	95	450	50
WJ-301C-ESD	3"	75mm	70*60	TPR/Rubber	steel	/	800	95	450	50
WJ-401A	4"	100mm	90*100	TPR/PU/Rubber	steel	32	1200	132	740	40
WJ-401A-ESD	4"	100mm	90*100	TPR/Rubber	steel	32	1200	132	740	40
WJ-401B	4"	100mm	90*100	TPR/PU/Rubber	steel	32	1200	132	910	40
WJ-401B-ESD	4"	100mm	90*100	TPR/Rubber	steel	32	1200	132	910	40
WJ-401C	4"	100mm	90*100	TPR/PU/Rubber	steel	/	1200	132	550	40
WJ-401C-ESD	4"	100mm	90*100	TPR/Rubber	steel	/	1200	132	550	40
WJ-501A	5"	125mm	120*110	TPR/PU/Rubber	steel	32	1600	190	900	30
WJ-501A-ESD	5"	125mm	120*110	TPR/Rubber	steel	32	1600	190	900	30
WJ-501B	5"	125mm	120*110	TPR/PU/Rubber	steel	32	1600	190	1050	30
WJ-501B-ESD	5"	125mm	120*110	TPR/PU/Rubber	steel	32	1600	190	1050	30
WJ-501C	5"	125mm	120*110	TPR/Rubber	steel	/	1600	190	750	30
WJ-501C-ESD	5"	125mm	120*110	TPR/PU/Rubber	steel	/	1600	190	750	30

CASTER

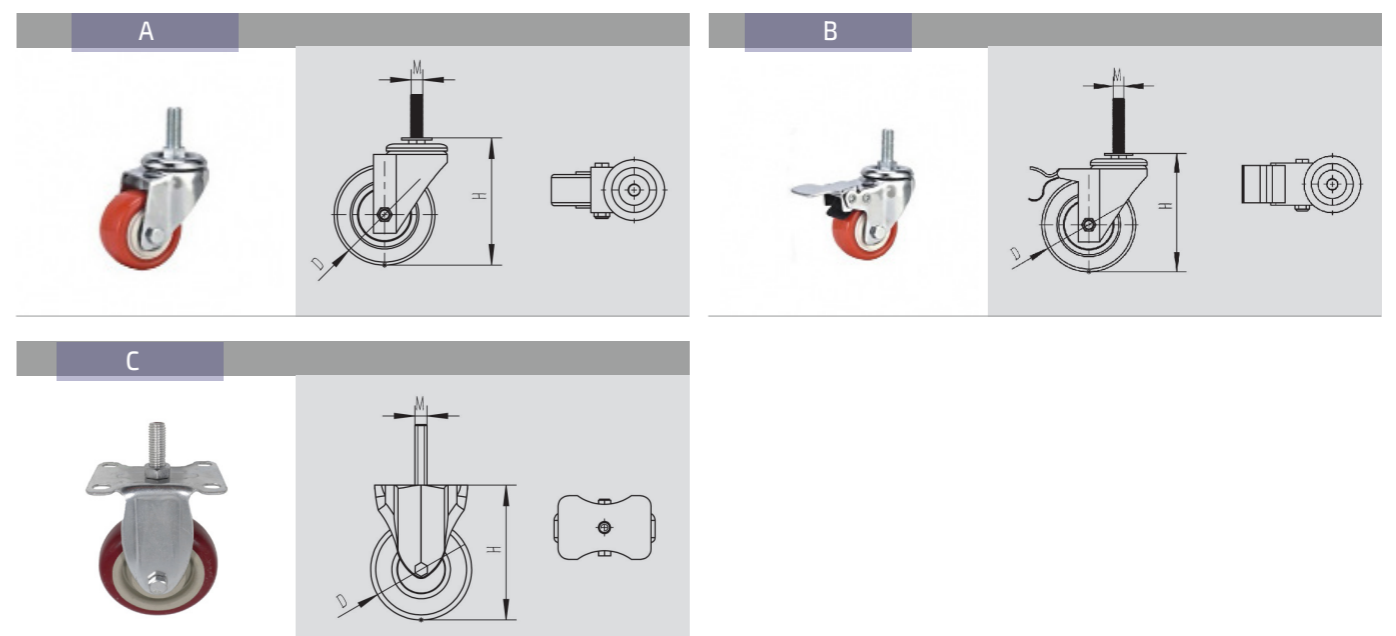
02 INSERTION SERIES



Insertion Caster Series	Wheel Dia (inch)	D (mm)	T	Material	Frame Material	Offset DistancePIA (mm)	Loading (N)	H (mm)	Weight (g)	Package (pcs)
WJ-202A	2"	50mm	M12*60	TPR/PU/Rubber	steel	22	300	67	280	100
WJ-202A-ESD	2"	50mm	M12*60	TPR/Rubber	steel	22	300	67	280	100
WJ-202B	2"	50mm	M12*60	TPR/PU/Rubber	steel	22	300	67	300	100
WJ-202B-ESD	2"	50mm	M12*60	TPR/Rubber	steel	22	300	67	300	100
WJ-202C	2"	50mm	M12*60	TPR/PU/Rubber	steel	/	300	67	280	100
WJ-202C-ESD	2"	50mm	M12*60	TPR/Rubber	steel	/	300	67	280	100
WJ-302A	3"	75mm	M12*60	TPR/PU/Rubber	steel	35	500	95	480	50
WJ-302A-ESD	3"	75mm	M12*60	TPR/Rubber	steel	35	500	95	480	50
WJ-302B	3"	75mm	M12*60	TPR/PU/Rubber	steel	35	500	95	580	50
WJ-302B-ESD	3"	75mm	M12*60	TPR/Rubber	steel	35	500	95	580	50
WJ-302C	3"	75mm	M12*60	TPR/PU/Rubber	steel	/	500	95	450	50
WJ-302C-ESD	3"	75mm	M12*60	TPR/Rubber	steel	/	500	95	450	50
WJ-402A	4"	100mm	M12*60	TPR/PU/Rubber	steel	32	600	132	630	40
WJ-402A-ESD	4"	100mm	M12*60	TPR/Rubber	steel	32	600	132	630	40
WJ-402B	4"	100mm	M12*60	TPR/PU/Rubber	steel	32	600	132	780	40
WJ-402B-ESD	4"	100mm	M12*60	TPR/Rubber	steel	32	600	132	780	40
WJ-402C	4"	100mm	M12*60	TPR/PU/Rubber	steel	/	600	132	620	40
WJ-402C-ESD	4"	100mm	M12*60	TPR/Rubber	steel	/	600	132	620	40

CASTER

03 BUSHING SERIES



Bushing Caster	Wheel Dia (inch)	D (mm)	T	Material	Frame Material	Offset DistancePIA (mm)	Loading (N)	H (mm)	Weight (g)	Package (pcs)
WJ-203A	2"	50mm	M12*35	TPR/PU/Rubber	steel	22	300	67	280	100
WJ-203A-ESD	2"	50mm	M12*35	TPR/Rubber	steel	22	300	67	280	100
WJ-203B	2"	50mm	M12*35	TPR/PU/Rubber	steel	22	300	67	300	100
WJ-203B-ESD	2"	50mm	M12*35	TPR/Rubber	steel	22	300	67	300	100
WJ-203C	2"	50mm	M12*35	TPR/PU/Rubber	steel	/	300	67	280	100
WJ-203C-ESD	2"	50mm	M12*35	TPR/Rubber	steel	/	300	67	280	100
WJ-303A	3"	75mm	M12*35	TPR/PU/Rubber	steel	35	500	95	480	50
WJ-303A-ESD	3"	75mm	M12*35	TPR/Rubber	steel	35	500	95	480	50
WJ-303B	3"	75mm	M12*35	TPR/PU/Rubber	steel	35	500	95	580	50
WJ-303B-ESD	3"	75mm	M12*35	TPR/Rubber	steel	35	500	95	580	50
WJ-303C	3"	75mm	M12*35	TPR/PU/Rubber	steel	/	500	95	450	50
WJ-303C-ESD	3"	75mm	M12*35	TPR/Rubber	steel	/	500	95	450	50
WJ-403A	4"	100mm	M12*35	TPR/PU/Rubber	steel	32	600	132	630	40
WJ-403A-ESD	4"	100mm	M12*35	TPR/Rubber	steel	32	600	132	630	40
WJ-403B	4"	100mm	M12*35	TPR/PU/Rubber	steel	32	600	132	780	40
WJ-403B-ESD	4"	100mm	M12*35	TPR/Rubber	steel	32	600	132	780	40
WJ-403C	4"	100mm	M12*35	TPR/PU/Rubber	steel	/	600	132	620	40
WJ-403C-ESD	4"	100mm	M12*35	TPR/Rubber	steel	/	600	132	620	40

Adjust Accessory Type

28AD-8A



Item No	specification	Frame Material	A*B	H1 (mm)	H2 (mm)	Loading (N)	weight (KG)
28AD-8A-3	3"	steel	62*91	96	120	80kg	1.4kg
28AD-8A-4	4"	steel	62*91	125	151	100kg	1.6kg
28AD-8A-5	5"	steel	62*91	154	180	120kg	1.8kg




28AD-8B








Item No	specification	Frame Material	A*B	H1 (mm)	H2 (mm)	Loading (N)	weight (KG)
28AD-8B-5	5"	steel	120*120	154	180	150KG	1.8kg
28AD-8B-6	6"	steel	120*120	170	200	200KG	2.2kg

Series	Code	D/ (mm)	Height /L(mm)	Stem Diameter (t)	Picture	Drawing
Small-Type	SPB28E-10(SP30E-10)	28(30)	/	M10		SPB28E = 28MMTUBE SPB30E = 28.6MMTUBE
	SPB28E-12(SP30E-12)	28(30)	/	M12		
	SPB28E-1/2(SP30E-1/2)	28(30)	/	1/2"		
	SPB28E-3/8(SP30E-3/8)	28(30)	/	3/8"		
	ADP3-34	34	/	/		
	ADP3-52	52	/	/		
Normal-Type	AD3-3850-10	38	50	M10		
	AD3-3850- 3/8	38	50	3/8"		
	AD3-3880-10	38	80	M10		
	AD3-3880- 3/8	38	80	3/8"		
	AD3-5050-10	50	50	M10		
	AD3-5050- 3/8	50	50	3/8"		
	AD3-50100-12	50	100	M12		
	AD3-50100- 1/2	50	100	1/2"		
	AD3-50100- 5/8	50	100	5/8"		
	AD4-3850-10	38	50	M10		
	AD4-3850- 3/8	38	50	3/8"		
	AD4-3880-10	38	80	M10		
	AD4-3880- 3/8	38	80	3/8"		
	AD4-5050-10	50	50	M10		
	AD4-5050- 3/8	50	50	3/8"		
AD4-50100-12	50	100	M12			
AD4-50100- 1/2	50	100	1/2"			
AD4-50100- 5/8	50	100	5/8"			
Rubber -Type ESD BLACK	AD5-3850-10	38	50	M10		
	AD5-3880-10	38	80	M10		
	AD5-38100-10	38	100	M10		
	AD5-5080-10	50	80	M10		
ESD	AD5-3880-12	38	100	M12		
Rubber Pad-Type ESD BLACK	AD6-3260-10	32	60	M10		
	AD6-3560-10	35	60	M10		
	AD6-5460-10	54	60	M10		
	AD6-5460-12	54	60	M12		
Adjust accessories	WA-AD5-10	/	/	M10		
	WA-AD5-12	/	/	M12		
	WA-AD5- 1/2	/	/	1/2"		
	WA-AD5- 3/8	/	/	3/8"		

BUSHING NUT

Part Number	Photo	Classification	Application	Diameter	QTY(pcs)	Color
SPB2807-10 (SPB3007-10)		Stainless pipe	28*0.7 (28.6*0.7)	M10	200	ZINC
SPB2807-12 (SPB3007-12)			28*0.7(28.6*0.7)	M12	200	ZINC
SPB2807- 1/2 (SPB3007- 1/2)			28*0.7 (28.6*0.7)	1/2"	200	ZINC
SPB2807- 3/8 (SPB3007- 3/8)			28*0.7(28.6*0.7)	3/8"	200	ZINC
SPB2807- 5/8 (SPB3007- 5/8)			28*0.7 (28.6*0.7)	5/8"	200	ZINC
SPB2810- 10 (SPB3010-10)				Stainless pipe	28*1.0 (28.6*1.0)	M10
SPB2810-12 (SPB3010-12)	28*1.0 (28.6*1.0)	M12			200	ZINC
SPB2810-1/2 (SPB3010- 1/2)	28*1.0 (28.6*1.0)	1/2"			200	ZINC
SPB2810- 3/8 (SPB3010- 3/8)	28*1.0 (28.6*1.0)	3/8"			200	ZINC
SPB2810- 5/8 (SPB3010- 5/8)	28*1.0 (28.6*1.0)	5/8"			200	ZINC
SPB2812- 10 (SPB3012-10)		Stainless pipe			28*1.2 (28.6*1.2)	M10
SPB2812-12 (SPB3012-12)			28*1.2 (28.6*1.2)	M12	200	ZINC
SPB2812-1/2 (SPB3012- 1/2)			28*1.2 (28.6*1.2)	1/2"	200	ZINC
SPB2812- 3/8 (SPB3012- 3/8)			28*1.2 (28.6*1.2)	3/8"	200	ZINC
SPB2812- 5/8 (SPB3012- 5/8)			28*1.2 (28.6*1.2)	5/8"	200	ZINC

BUSHING NUT

Part Number	Photo	Classification	Application	Diameter	QTY(pcs)	Color
CPB2807-10 (CPB3007-10)		Coated pipe	28*0.7 (28.6*0.7)	M10	200	ZINC
CPB2807-12 (CPB3007-12)			28*0.7 (28.6*0.7)	M12	200	ZINC
CPB2807- 1/2 (CPB3007-1/2)			28*0.7 (28.6*0.7)	1/2"	200	ZINC
CPB2807- 3/8 (CPB3007-3/8)			28*0.7 (28.6*0.7)	3/8"	200	ZINC
CPB2807- 5/8 (CPB3007-5/8)			28*0.7 (28.6*0.7)	5/8"	200	ZINC
CPB2810-10 (CPB3010-10)				Coated pipe	28*1.0 (28.6*1.0)	M10
CPB2810-12 (CPB3010-12)	28*1.0 (28.6*1.0)	M12			200	ZINC
CPB2810-1/2 (CPB3012-1/2)	28*1.0 (28.6*1.0)	1/2"			200	ZINC
CPB2810- 3/8 (CPB3010-3/8)	28*1.0 (28.6*1.0)	3/8"			200	ZINC
CPB2810- 5/8 (CPB3010-5/8)	28*1.0 (28.6*1.0)	5/8"			200	ZINC
CPB2812- 10 (CPB3012-10)		Coated pipe			28*1.2 (28.6*1.2)	M10
CPB2812-12 (CPB3012-12)			28*1.2 (28.6*1.2)	M12	200	ZINC
CPB2812-1/2 (CPB3012-1/2)			28*1.2 (28.6*1.2)	1/2"	200	ZINC
CPB2812- 3/8 (CPB3012-3/8)			28*1.2 (28.6*1.2)	3/8"	200	ZINC
CPB2812- 5/8 (CPB3012-5/8)			28*1.2 (28.6*1.2)	5/8"	200	ZINC
CPB2815- 10 (CPB3015-10)				Coated pipe	28*1.5 (28.6*1.5)	M10
CPB2815-12 (CPB3015-12)	28*1.5 (28.6*1.5)	M12			200	ZINC
CPB2815-1/2 (CPB3015-1/2)	28*1.5 (28.6*1.5)	1/2"			200	ZINC
CPB2815- 3/8 (CPB3015-3/8)	28*1.5 (28.6*1.5)	3/8"			200	ZINC
CPB2815- 5/8 (CPB3015-5/8)	28*1.5 (28.6*1.5)	5/8"			200	ZINC
CPB2820- 10 (CPB3020-10)		Coated pipe			28*2.0 (28.6*2.0)	M10
CPB2820-12 (CPB3020-12)			28*2.0 (28.6*2.0)	M12	200	ZINC
CPB2820-1/2 (CPB3020-1/2)			28*2.0 (28.6*2.0)	1/2"	200	ZINC
CPB2820- 3/8 (CPB3020-3/8)			28*2.0 (28.6*2.0)	3/8"	200	ZINC
CPB2820- 5/8 (CPB3020-5/8)			28*2.0 (28.6*2.0)	5/8"	200	ZINC

PLASTIC STRIP

<p>JP-A-30</p>	<p>JP-A-50</p>
<p>JP-B1</p>	<p>JP-B2</p>
<p>JP-B3</p>	<p>JP-B4</p>
<p>JP-B5</p>	<p>JP-C1-50</p>
<p>JP-C2-30</p>	<p>JP-D1-35 for 35 series roller track</p>

PLASTIC STRIP

<p>JP-D2-40 for 40 series roller track</p>	<p>JP-E1A-35 for 35 series roller track</p>
<p>JP-E for 35 series roller track</p>	<p>JP-E2-40 for 40 series roller track</p>
<p>JP-E3 for 40 series roller track</p>	<p>JP-F1</p>
<p>JP-F2</p>	<p>JP-G</p>
<p>JP-H</p>	<p>JP-H</p>

PLASTIC STRIP

Series	Code	Hight/mm	Width/mm	Picture	Drawing
L-type L	JP-L1	35	35		
	JP-L2	35	40		
	JP-L3	30	50		
	JP-L4	50	60		
	JP-L5	50	75		
	JP-L6	50	100		
	JP-L7	80	90		
T-type T	JP-T1	50	100		
	JP-T2	100	60		



METAL ACCESSORIES

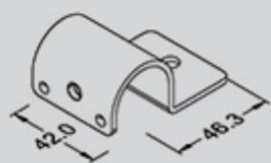
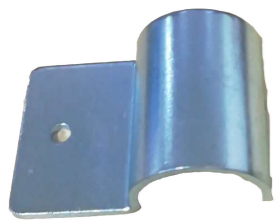
<p>WA-1000A</p>	<p>WA-1000A1</p>
<p>WA-1000B</p>	<p>WA-1000B1</p>
<p>WA-1000C</p>	<p>WA-1000C1</p>
<p>WA-1000D</p>	<p>WA-1000D1</p>
<p>WA-1008A</p>	<p>WA-1008B</p>

ACCESSORIES

ACCESSORIES

METAL ACCESSORIES

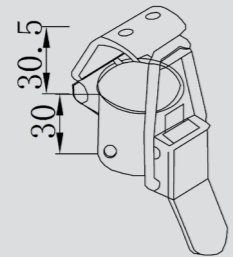
WA-1008C



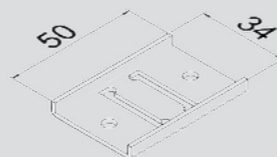
WA-1008D



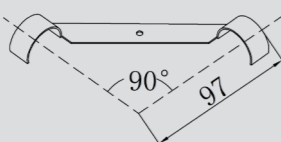
WA-1



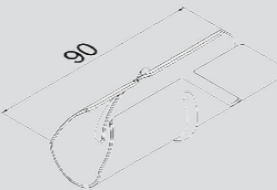
WA-2



WA-3A

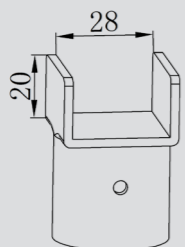


WA-4

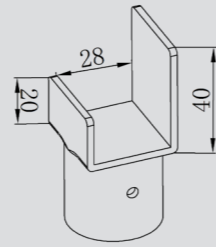


For Thickness

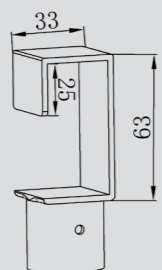
WA-5A



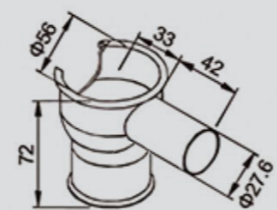
WA-5B



WA-5C

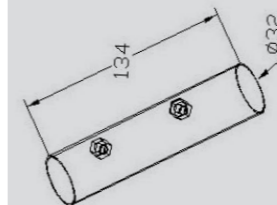


WA-6

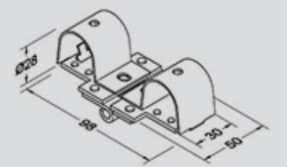


METAL ACCESSORIES

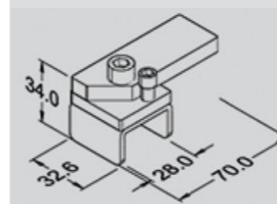
WA-7



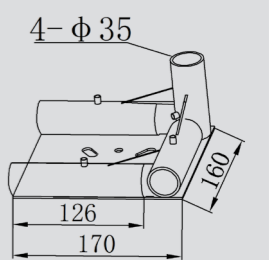
WA-8



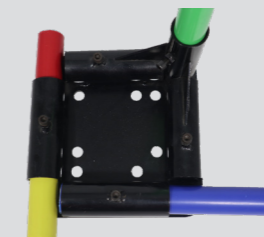
WA-9



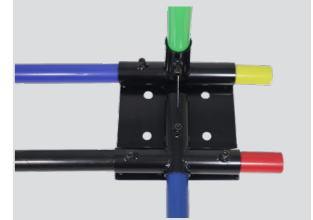
WA-L



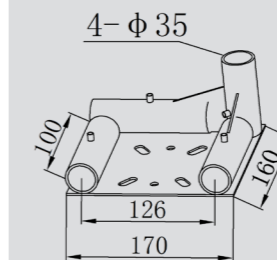
WA-LR



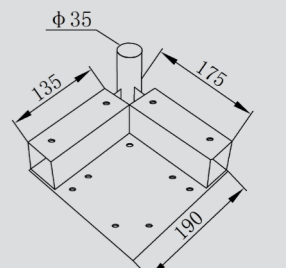
WA-T



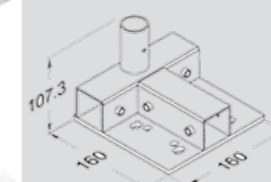
WA-R



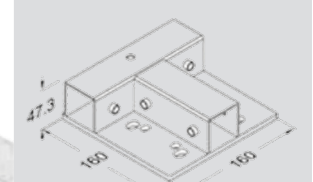
WA-P1



WA-P2



WA-P3



ACCESSORIES

ACCESSORIES

METAL ACCESSORIES

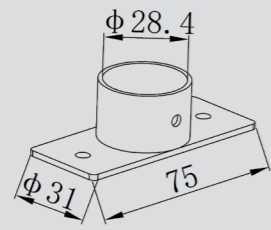
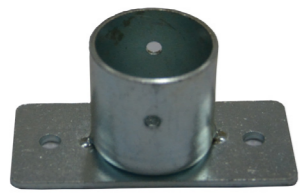
<p>WA-Y</p>	<p>WA-F</p>
<p>WA-1005A</p>	<p>WA-1005B</p>
<p>WA-1005C</p>	<p>WA-1005D</p>
<p>WA-1006</p>	<p>WA-1009</p>
<p>WA-1012A</p>	<p>WA-1012B</p>

METAL ACCESSORIES

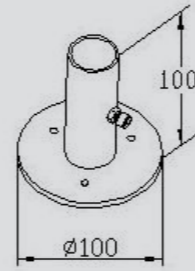
<p>WA-1012C</p>	<p>WA-1012D</p>
<p>WA-1012E</p>	<p>WA-1012F</p>
<p>WA-1012G</p>	<p>WA-1012H</p>
<p>WA-HK200</p>	<p>WA-HK300</p>
<p>WA-HK400</p>	<p>WA-AD1</p>

METAL ACCESSORIES

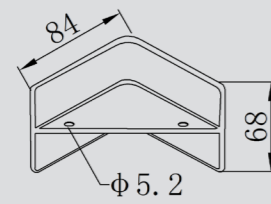
WA-AD2



WA-AD3



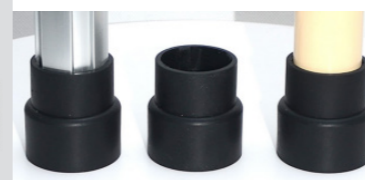
WA-AD4



PLASTIC FOOT COVER

ADP1(Rubber)

COLOR: ● BK ● EBK



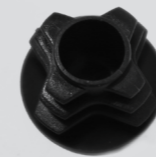
ADP2(Plastic)

COLOR: ● BK ● EBK

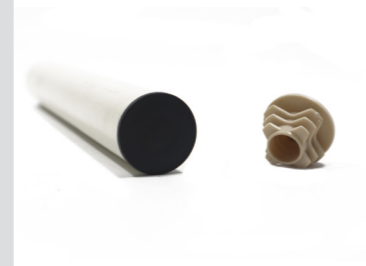


CAP

CAP -



Coated pipe Only



CAP-IV



Stainless steel pipe



ACCESSORIES

ACCESSORIES

BOLT AND NUT

TYPE	PART NO	SITEM	SPEC	COLOR	USAGE
	TN06B	T-NUT	M6	BLACK	METAL JOINT
	TN06W		M6	ZINC	
	NN08W	NYLON NUT	M8	ZINC	M8 BOLT
	N08W	NUT	M8	ZINC	M8 BOLT
	PW08W	FLAT WASHER	M8	ZINC	M8 BOLT
	B0610B	M6X10	M6	BLACK	METAL JOINT
	B0610W	M6X10	M6	ZINC	
	B0625B	M6X25	M6	BLACK	
	B0625W	M6X25	M6	ZINC	
	B0628B	M6X28	M6	BLACK	
	B0628W	M6X28	M6	ZINC	
	B0630B	M6X30	M6	BLACK	
	B0630W	M6X30	M6	ZINC	
	B0835W	M8X35	M8	WHITE	CASTER
	B0840W	M8X40	M8	WHITE	
	B0850W	M8X50	M8	WHITE	
	BH0625B	M6X25	M6	BLACK	METAL JOINT
	BH0625W	M6X25	M6	ZINC	
	BH0628B	M6X28	M6	BLACK	
	BH0628W	M6X28	M6	ZINC	
	BH0630B	M6X30	M6	BLACK	
	BH0630W	M6X30	M6	ZINC	

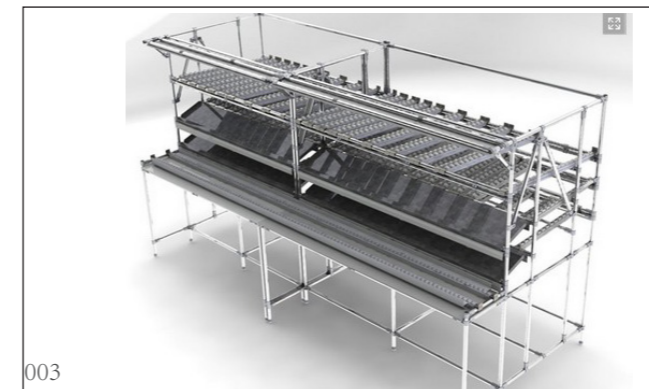
APPLICATIONS



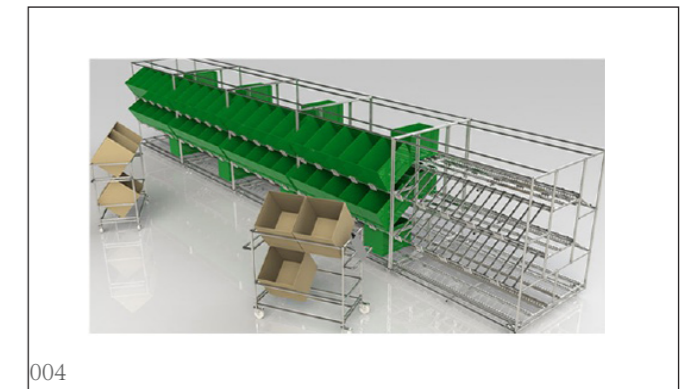
001



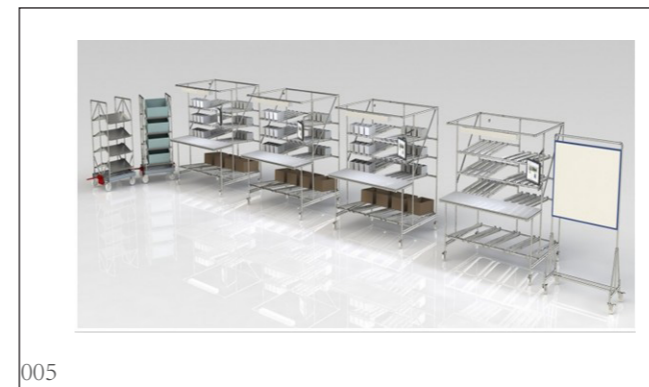
002



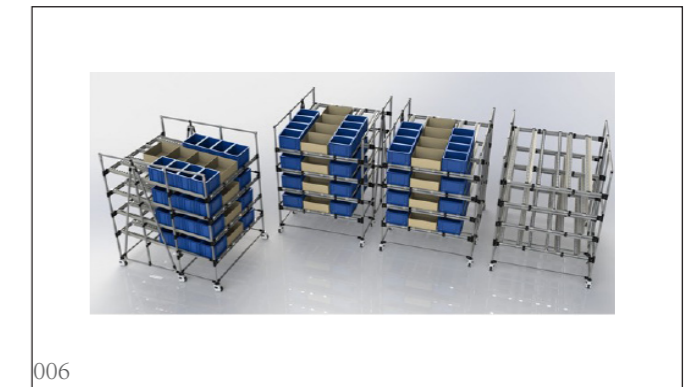
003



004



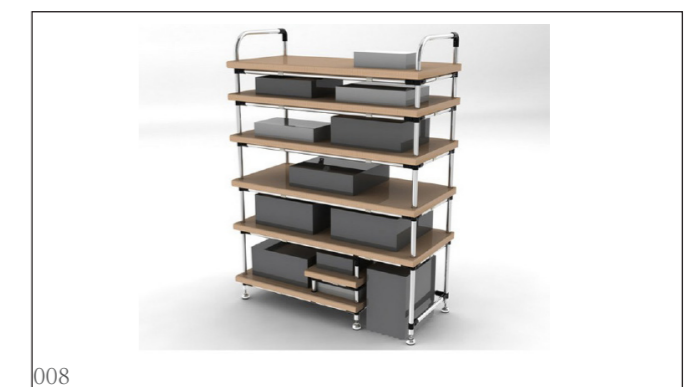
005



006



007

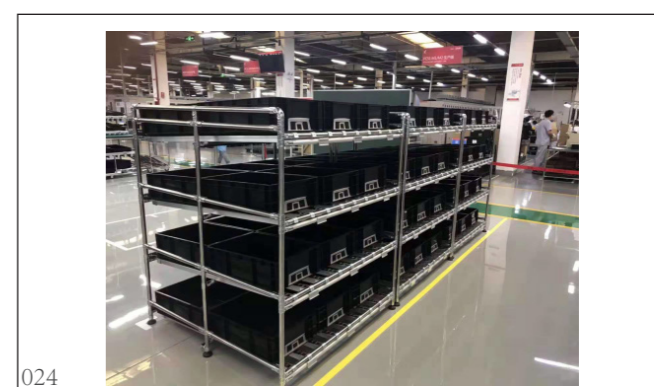


008

APPLICATIONS



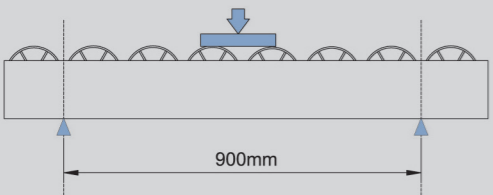
APPLICATIONS



APPLICATION

APPLICATIONS

BENDING STRENGTH FOR ROLLER TRACK

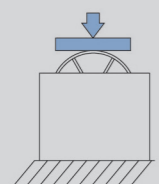


Unit :kgf

Model	Load
35 Series	80
40 Series	150
60 Series	100
70 Series	200
85 Series	300

Test Condition
 1. Test Speed : 5mm / min
 2. Temperature : 23 °C

COMPRESSION STRENGTH OF WHEEL SUBASSEMBLY

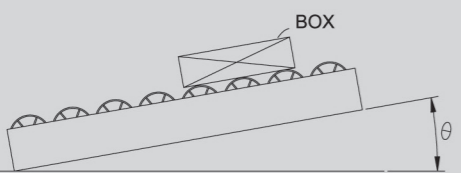


Unit :kgf

Model	Load
35 Series	100
40 Series	150
60 Series	200
70 Series	200
85 Series	300

Test Condition
 1. Test Speed : 5mm / min
 2. Temperature : 23 °C

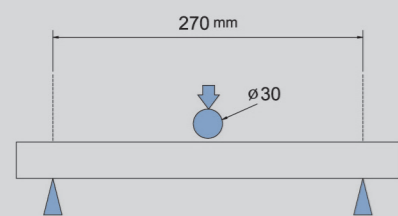
ANGLE RECOMMENDED FOR CONSISTENT



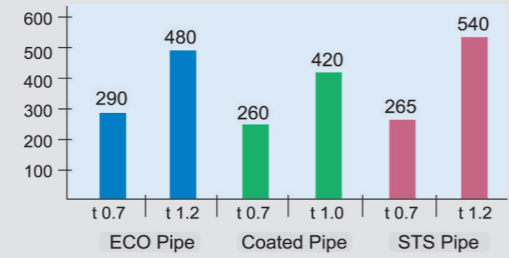
Test Condition
 1. Box Weight : 0.75kg
 2. Temperature : 23 °C

Model	Angle(θ)
35 Series	1.45
40 Series	1.66
60 Series	1.62
70 Series	1.58
85 Series	1.38

BENDING STRENGTH FOR PIPE

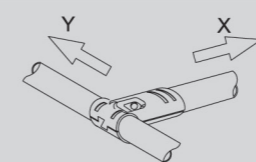


Test Condition
 1. Test Speed : 5mm / min
 2. Temperature : 23 °C



Spec. of Pipe	Eco Pipe	Coated Pipe	STS Pipe
∅ 28×t 0.7	290	260	265
∅ 28×t 1.0	-	420	-
∅ 28×t 1.2	480	-	540

HOLDING FORCE

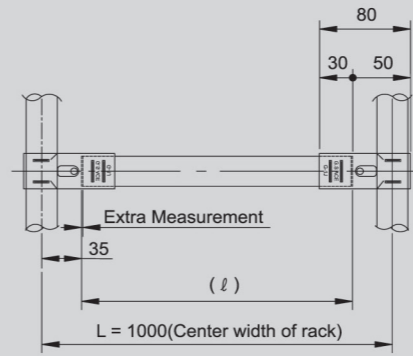


Test Condition
 1. Test Speed : 5mm / min
 2. Temperature : 23 °C

Classification	Coated Pipe		Stainless Steel Pipe	
	∅28 x t0.7	∅28 x t1.0	∅28 x t0.7	∅28 x t1.2
Direction : X	More Than 80kg	More Than 80kg	More Than 80 kg	More Than 80 kg
Direction : Y	More Than 80kg	More Than 80kg	More Than 80 kg	More Than 80 kg

DETERMINING STANDARD PIPE LENGTH

| Metal Joint |

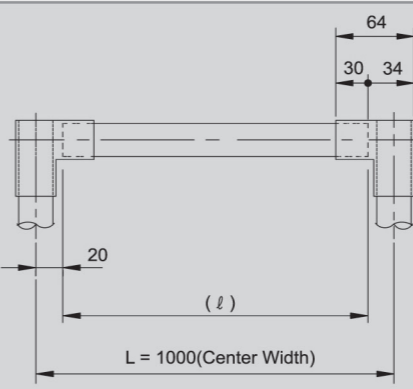


Case of ∅28mm

1000mm	Center Measurement (L)
-70mm	Pipe Length Inside Joint (35mm x 2)
-2mm	Extra Measurement (2mm~5mm)
928mm	Pipe Length (ℓ)

$\ell = 1000 - (70+2) = 928(\text{mm})$

| Plastic Joint |



Case of ∅28mm

1000mm	Center Measurement (L)
-40mm	Pipe Length Inside Joint (20mm x 2)
-2mm	Extra Measurement (2mm~5mm)
958mm	Pipe Length (ℓ)

$\ell = 1000 - (40+2) = 958(\text{mm})$

Photo	Test photo	Screw torque test photo	NO	Standard Test Data			My company
				Length drawing (mm)	Drawing Speed (mm/min)	Screw strength (N.M)	Drawing strength (kgf)
			1	10	50	10	85.5
						15	126.3
			2			10	167.8
						15	243.8
			1	10	20	10	80.2
						15	98.0
			2			10	91.0
						15	114.0
			3			10	132.4
						15	167.7
			1	10	50	10	280.0
						15	364.0
			2			10	116.0
						15	134.0
			3			10	105.0
						15	135.0
			4			10	98.0
						15	98.0
			1	10	50	10	282.0
						15	310.0
			2			10	71.0
						15	110.0
			3			10	87.0
						15	95.0
			1	10	10	9	77.0
						9	57.0
			2			9	57.0
						9	57.0

Photo	Test photo	Screw torque test photo	NO	Standard Test Data			My company					
				Length drawing (mm)	Drawing Speed (mm/min)	Screw strength (N.M)	Drawing strength (kgf)					
			1	10	50	10	21.0					
						15	56.0					
			2			10	150.0					
						15	108.0					
			1	10	50	10	163.0					
						15	136.0					
			2			10	107.0					
						15	107.0					
								1	10	50	9	79.0
											9	79.0
			1	10	50	10	37.0					
						15	32.0					
			2			10	29.0					
						15	60.0					





MPS Modular Parts System DOO

Address: Cara Dusana 170, 23300 Kikinda, Serbia

Phone: +381(0) 230 590 590

Email:

info@modular-parts-system.rs

sales@modular-parts-system.rs

www.modular-parts-system.rs